



2025 Owner's Manual

RANGER 570 E

QUADRICYCLE

Owner's manual part Number - OM25QRGR570E

Read this manual carefully. It contains important safety information. This is an adult vehicle only.
Operation is prohibited for those under 18 years of age.

 **WARNING**

This Owner Manual refers to EGIMOTORS QUADRICICLES

(To be filled in by your Dealer)

This Owner's Manual must always remain inside you Quadricycle
(Legal requirement)

A digital/printable copy is available on www.egimotors.com

Year _____

Model Type _____

Code number (spare parts use only) _____

VIN Number _____

Engine Serial Number _____

Key Number _____

Registration Plate Number _____

Thank you for purchasing an EGIMOTORS Quadricycle, and welcome to our world-wide family of enthusiasts.

We have done This manual to inform you on how to use and maintain the best condition of operation for your Quadricycle.

If after reading this manual, you still have some questions please do not hesitate to contact your dealer that will be available to help you.

Be sure to visit us online at www.Egimotors.it for the latest news and for product and Safety information.

We believe we sets a standard of excellence for all utility and Quadricycle manufactured in the world today.

Many years of experience have gone into the engineering, design, and development of your Quadricycle, making it the finest machine we've ever produced.

For safe and enjoyable operation of your QUADRICYCLE, be sure to follow the instructions and recommendations in this owner's manual.

Your manual contains instructions for the maintenance of the Quadricycle and information about repairs.

Service Manual are available from Dealers, only them can perform major repair and install accessory.

Your dealer knows your Quadricycle better than anyone and is interested in your total satisfaction, he can perform your service needs during and after the warranty period.

For the most up-to-date owner's manual visit:

<http://egimotors.it/libretto-uso-manutenzione/>

WELCOME

Read and understand this Owner's Manual is extremely important for your safety and for all the operators, so please take your time to read all the pages and be sure that is someone else will use the Quadricycle before will take this manual and read and understand all, this will give you the best knowledge and skills on how to ride in security.

Copyright 2025 EGIMOTORS.

All the information contained within this publication is based on the latest product information at the time of publication.

Due to constant improvement in the design and quality of product components, some minor discrepancies may result between the actual unit and the information presented in this publication.

Descriptions and or procedure in this publication are intended for reference use only. No Liability can be accepted for omission or inaccuracies. Any reprinting or reuse of the depictions and or procedures contained within this publication are intended for reference use only. The original instruction is in English.

Other languages are provided as translation of the original Instruction see the EGIMOTORS website for more details and procedure.

INTRODUCTION	7
CERTIFICATE OF PRE-DELIVERY INSPECTION	10
SAFETY	14
FEATURES AND CONTROLS	34
OPERATION	73
EMISSION CONTROL SYSTEMS	82
MAINTENANCE.....	83
SPECIFICATIONS.....	139
EGIMOTORS PRODUCTS.....	142
TROUBLESHOOTING.....	144
WARRANTY	148
MAINTENANCE LOG.....	153

INTRODUCTION

IMPORTANT INFORMATION

WARNING

Failure to follow the warnings contained in this manual can result in severe injury or death.

This QUADRICYCLE is not a toy and can be hazardous to operate. This QUADRICYCLE handles differently than other QUADRICYCLES. A collision or rollover can occur quickly, even during routine maneuvers, if you fail to take proper precautions.

- Read this owner's manual. Understand all safety warnings, precautions and operating procedures before operating the QUADRICYCLE. Keep this manual with the QUADRICYCLE at all times.
- This QUADRICYCLE is an ADULT QUADRICYCLE ONLY. You **MUST** be at least 18 years of age and have a valid driver's license to operate this QUADRICYCLE.
- No person under the age of 12 may ride as a passenger in this QUADRICYCLE.
- Never permit a guest to operate this QUADRICYCLE unless the guest has read this manual and all product labels.
- Always keep hands, feet, and all other body parts inside the QUADRICYCLE at all times.
- Always wear the proper clothing when operating or riding in this QUADRICYCLE. All riders should wear substantial footwear, long pants, and a close-fitting shirt. A hard hat or helmet and approved eye protection are recommended when appropriate for riding or working conditions.
- Never operate this QUADRICYCLE under the influence of drugs or alcohol, as these conditions impair judgement and the operator's ability to react.

TOOLS FOR SAFE RIDING

To safely operate this QUADRICYCLE, it is important to become familiar with its features, controls, and characteristics. Review the Safety Briefings for this QUADRICYCLE that apply to you:

- Operators
- Riders
- Owners
- Trailering the QUADRICYCLE
- Maintaining the QUADRICYCLE

Additionally, read the product safety labels on the QUADRICYCLE and follow all rules and regulations concerning the operation of this QUADRICYCLE in your area.

INTRODUCTION

SAFETY SYMBOLS AND SIGNAL WORDS

The following signal words and symbols appear throughout this manual and on your QUADRICYCLE. Your safety is involved when these words and symbols are used. Become familiar with their meanings before reading the manual.

 **DANGER**

DANGER indicates a hazardous situation which, if not avoided, WILL result in death or serious injury.

 **WARNING**

WARNING indicates a hazardous situation which, if not avoided, COULD result in death or serious injury.

 **CAUTION**

CAUTION indicates a hazardous situation which, if not avoided, COULD result in minor to moderate injury.

NOTICE

NOTICE provides key information by clarifying instructions.

IMPORTANT

IMPORTANT provides key reminders during disassembly, assembly, and inspection of components.

The Prohibition Safety Sign indicates an action NOT to take in order to avoid a hazard.

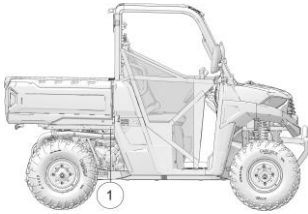


The Mandatory Action Sign indicates an action that NEEDS to be taken to avoid a hazard.

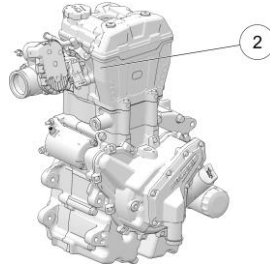


QUADRICYCLE IDENTIFICATION NUMBERS

Record your QUADRICYCLE's identification numbers and key number in the spaces provided. Remove the spare key and store it in a safe place. An ignition key can be duplicated only by ordering a EGIMOTORS key blank (using your key number) and mating it with one of your existing keys. The ignition switch must be replaced if all keys are lost.



① QUADRICYCLE
Identification Number (VIN)



② Engine Serial Number

QUADRICYCLE Model Number:	
QUADRICYCLE Identification Number (VIN):	
Engine Serial Number:	
Key Number	

CERTIFICATE OF PRE-DELIVERY

CERTIFICATE OF PRE-DELIVERY INSPECTION

Quadricycle Certificate of Pre-Delivery

Year _____ Model _____

VIN _____

Engine Serial Number _____

Key Number _____ Km / Hours _____

Registration Plate Number _____

ASSEMBLY / SERVICE / INSPECTION

- - SEALED BATTERY – Apply dielectric grease to terminal bolts and install cable. Check Voltage and charge if below 12,8 Volts.
- - BATTERY VOLTAGE – Misuse and record the battery voltage after 30 minutes after charger has been removed _____ DCV
- - TIRE PRESSURE – Verify Pressure if set to Specification
- - WHEEL NUT – Torque to specification
- - HANDLEBAR CLAMPS - Torque bolts to specification
- - MASTER CYLINDER – Torque bolts to specification
- - FRONT TOE ALIGNMENT – Verify proper toe setting
- - BALL JOINT – Inspect bolts and/or cotter pin
- - STEERING POST – Inspect cotter pin
- - TIE ROD – Inspect jam nuts and cotter pin
- - TRANSMISSION – Add oil if needed
- - GREASE FITTING – Check and Grease all the Fitting if needed
- - ENGINE OIL – Check level of oil, add if needed
- - BRAKE FLUID – Check level of fluid, add if needed in brake master cylinder(s)
- - ENGINE COOLANT – Inspect coolant in recovery bottle. Add if needed.
- - PARK BRAKE – Verify proper operation
- - INTAKE AIRBOX – Inspect hose connection and clamps. Inspect filter condition.
- - LIGHTS – Verify operation of all lights
- - FUEL – Check level of fuel and add if needed
- - WIRE HARNESS / HOSE/ LINES – Inspect wire, hoses, and line from kinks, pinching and sign of abrasion.
- - UNIT INQUIRY – Check in the system and complete applicable Service Bulletins Recalls or factory direct modification(s)
- - COSMETIC INSPECTION – Inspect the quadricycle for damage and proper fit and finish.

DEALERSHIP NAME _____ # _____

ASSEMBLED BY _____

DATE _____ / _____ / _____

SIGNATURE

STAMP

CERTIFICATE OF PRE-DELIVERY

Quadricycle Certificate of Pre-Delivery

Year _____ Model _____

VIN _____

Engine Serial Number _____

Key Number _____ Km / Hours _____

Registration Plate Number _____

TEST RIDE

- - ENGINE – Starting acceleration and smoothness.
- - IDLE SPEED – Verify when cold and hot the engine idle properly.
- - TROTTLE – With engine idling and transmission in Neutral, swing the handlebar through entire travel range and verify proper and smooth operation.
- - ETC - Verify proper operation and throttle free play.
- - AUXILIARY SHUT OFF SWITCH - Verify proper operation.
- - BRAKES - Verify proper operation. Torque bolts to specification
- - DRIVELINE – Verify smooth operation
- - CLUTCH / TRANSMISSION – Verify proper shifting and transmission engagement/ indicator lights must correspond with gears.
- - AWD ADC – Verify proper operation.
- - REVERSE SPEED LIMITER – Verify operation and override control.
- - INSTRUMENTATION – Verify operational reading.
- - WHINCH (If equipped) – Verify proper operation.
- - SUSPENSION / STEERING – Verify adjustment, stability and operation.
- - ENGINE COOLANT Inspect coolant in recovery bottle between Min and Max after test ride, add if necessary.
- - DIAGNOSTIC SYSTEM – Run Engine up to full operating temperature. Use digital Wrench to generate and submit a "Service Report" recommended Process.
- - LEAKAGE – After completing "Diagnostic System "check for leakage and verify proper connection of oil / exhaust / fuel / Coolant / Brake fluid fitting, inspect hoses for sign and abrasion.
- - CLEAN – Wash and clean the quadricycle before delivery.

TEST RIDDEN BY

DATE _____ / _____ / _____

SIGNATURE

STAMP

CERTIFICATE OF PRE-DELIVERY

Quadricycle Certificate of Pre-Delivery

Year _____ Model _____

VIN _____

Engine Serial Number _____

Key Number _____ Km / Hours _____

Registration Plate Number _____

DELIVERY TO CUSTOMER

- - WARRANTY REGISTRATION FORM – Completed and signed.
- - OWNERS MANUAL – Emphasize the importance of reading for customer Safety and Servicing of Quadricycle/ Explain periodic maintenance responsibilities.
- - WARRANTY POLICY – Explanation / Limit / Requirements.
- - KEYS - Record Key Number.
- - Controls – Show location and function.
- - BELT LIFE – Discuss proper operation procedure operating and proper use of High and Low Gear Range.
- - BREAK IN PROCEDURE – Review as outline in Owner's Manual.
- - STORAGE / FUELING / TRANSPORTATION – Review as outline in the owner's manual.
- - TOOL KIT – Show location.
- - Safety Video – Review with Customer.
- - SAFETY FEATURES – Review all safety features of quadricycle operation for new operation.
- - DRIVING PROCEDURE – Review Operator driving procedure outlined in the Owner's Manual.
- - SVIA TRAINING FACT SHEET – Review with customer.
- - SAFETY TRAINING COURSE SVIA – I have instructed the owner on the authorized SVIA Safety training online course.
- - PRE-DELIVERY CERTIFICATION – I certify that pre-delivery inspection and service have been performed on this vehicle in accordance with the instructions issued by EGIMOTORS.

DEALERSHIP NAME _____ # _____

DELIVERED BY _____

DATE _____ / _____ / _____

SIGNATURE

STAMP

Quadricycle Certificate of Pre-Delivery

Year _____ Model _____

VIN _____

Engine Serial Number _____

Key Number _____ Km / Hours _____

Registration Plate Number _____

CUSTOMER ACCEPTANCE

- - I have reviewed the EGIMOTORS warranty Policy / Policies
- - I have inspected the Quadricycle and it meets my satisfaction.
- - I understand the importance of following the Owner's Manual and instructions.
- - I understand the importance of using all safety features.

Review with customer.

- - I understand the importance of all operation following the operator driving procedures in the Owner's Manual.
- - I have been instructed on the authorized online SVIA training course by my Dealer _____

(Name of dealership and person who inform the Customer)

CUSTOMER NAME _____

CUSTOMER SIGNATURE

DATE _____ / _____ / _____

SAFETY

OWNER REQUIREMENTS

Improper use, maintenance, or modification of this QUADRICYCLE can lead to serious injury or death.

Require proper use of your QUADRICYCLE. Do not allow anyone to operate your QUADRICYCLE or ride as a passenger unless they are properly instructed and you are sure they are willing to ride responsibly. To prevent unauthorized use, always remove the ignition key when the QUADRICYCLE is not in use.



Any modifications or installation of non-EGIMOTORS-approved accessories could increase the risk of injury. While you may find aftermarket products similar in design and quality to EGIMOTORS accessories, recognize that some aftermarket accessories or modifications are not suitable because of potential safety hazards to you or others. It is never appropriate to install any additional seating.

Check with the manufacturer to determine any potential effect of a modification or accessory on the safe use of your QUADRICYCLE. You are responsible for injuries related to modifications to the QUADRICYCLE. Modifications or accessories may:

- Damage machine components - especially modifications that increase speed or power.
- Make the QUADRICYCLE less stable at higher speeds.
- Add weight, reducing the amount of cargo and total weight you can carry, and raise the QUADRICYCLE's center of gravity.
- Overload the QUADRICYCLE's electrical system capacity. Blowing a fuse may cause a loss of lights or engine power.
- Reduce the effectiveness of occupant protection systems, including the seatbelts and the Rollover Protective Structure (ROPS).
- Make it illegal to own or operate your QUADRICYCLE. EGIMOTORS-authorized spark arresters, mufflers, and emissions control components are mandatory for ownership or operation in many areas.
- Void your warranty.

The QUADRICYCLE ROPS, when used with the seat belts and doors, provides a structure to help protect occupants. The structure will not protect occupants in all rollovers or accidents.

For more information about safety, contact an authorized dealer or visit the EGIMOTORS website at www.egimotors.it

DRIVER AND PASSENGER QUALIFICATIONS

Make sure operators are 18 or older with a valid driver's license. Just because a teenager has a license does not mean that they will make good judgments about driving and avoid risk taking.



EGIMOTORS recommends that you supervise younger drivers. Set rules and put limits on how, when, and where they are allowed to use this QUADRICYCLE. For example, young drivers may need to have an adult in the QUADRICYCLE with them and not be allowed to drive with their friends in the QUADRICYCLE.

Make sure all riders fit the QUADRICYCLE. Be sure that the driver and all passengers are able to:

- sit with their backs against their seat,
- adjust the seat belt to fit properly,
- have both feet flat on the floor, and
- have both hands on the steering wheel or on a passenger hand hold.

Do not allow children who need child safety seats or booster seats to ride in the QUADRICYCLE. The QUADRICYCLE is not designed to restrain automotive child safety seats.

You are responsible for your passengers. Be sure passengers are seated properly, belted, holding the passenger hand hold, and ready to brace. Unrestrained riders can fall out or be thrown around and from a moving QUADRICYCLE.

Every person must be properly seated and belted in their own seat.

Two people should never be belted into a single seat belt. People belted together can crash into one another in a collision and be seriously injured. Never carry passengers in the cargo bed as they could be thrown against or out of the QUADRICYCLE or come into contact with moving parts.

Do not let people drive or ride after using alcohol or drugs.

SAFETY

PREPARE QUADRICYCLE FOR THE RIDE

Before starting off, always perform the Pre-Ride Inspection. Failure to inspect and verify that the QUADRICYCLE is in safe operating condition increases the risk of an accident, which can lead to serious injury or death.



ITEM	REMARK
Brake Fluid	Ensure proper level and condition
Front and rear suspension	Inspect
Steering	Ensure free operation
Tires	Inspect condition and pressure
Wheels/Lug Nuts	Inspect, ensure fastener tightness
Fuel and oil	Ensure proper levels and condition
Coolant	Ensure proper level and condition
Indicator lights/switches	Ensure proper operation
Air Filter	Inspect, replace as needed
Engine intake pre-filter	Inspect, clean
PVT intake pre-filter	Inspect, clean
Headlights	Check operation
Brake lights/taillights	Check operation
Seat Belts	Check length of belt for damage, check latches for proper operation
Exhaust	Inspect spark arrester and clean if needed.
QUADRICYCLE Debris	Remove grass, leaves, and other flammable material or debris, especially near the exhaust system.
Lock adjustable steering wheel	Do not adjust the steering wheel while the QUADRICYCLE is moving.
Alternator Belt (if equipped)	Inspect for cracks, damage. Replace, if necessary.

Improper tire maintenance can lead to loss of control and an accident, which could result in serious injury or death. To reduce your risk of injury:

- Maintain EGIMOTORS recommended tire pressure. Check pressure before operating. Even if your QUADRICYCLE has only been driven a short distance, the tire pressure readings can become higher.
- Make sure tire pressures match the specifications listed in the table below.
- Only use the size and type of tires specified for this QUADRICYCLE.
- Do not operate your QUADRICYCLE with worn or damaged tires.
- Always follow your tire manufacturer's instructions for maintenance.

MEASUREMENT	SPECIFICATION
Maximum Cargo Box Load	200 kg
Tire Pressure in Bar	FRONT 0,6 Bar REAR 0,6 Bar
Maximum Weight Capacity Includes weight of operator, passenger, cargo, and accessories	220 kg

PREPARE YOURSELF, PASSENGERS, AND CARGO FOR THE RIDE

Wear an approved helmet. Riding in this QUADRICYCLE without wearing an approved helmet increases the risk of serious injury. For example, a helmet reduces your risk of injury from head strikes with the QUADRICYCLE or other objects even if there is no crash.

Approved helmets in Europe bear the ECE 22.05 (or newer) label. The ECE mark consists of a circle surrounding the letter E, followed by the distinguishing number of the country which has granted approval. The approval number and serial number will also be displayed on the label.



Use shatterproof goggles or a shatterproof helmet face shield. Such protective eyewear may reduce the risk of foreign material getting in your eyes and help prevent loss of vision. Whenever riding the Quadricycle, always wear goggles.

EGIMOTORS recommends wearing approved Personal Protective Equipment (PPE) that have markings indicating they are designed to standards CE.



Additional protective clothing and gear that may be appropriate for your riding conditions includes:

- Always wear shoes when operating. Consider wearing sturdy over-the-ankle boots suitable for the terrain you will be riding in.
- Full-finger gloves can protect against wind, sun, cold, and objects. Choose gloves that fit snugly and allow fingers to move freely and grip on the steering wheel or hand holds.
- Consider long sleeves and long pants to help protect arms and legs.
- Long-term exposure to wind and engine noise can cause permanent hearing loss. Properly worn hearing protective devices such as earplugs can help prevent hearing loss. Check local laws or the rules of the riding area you are in before wearing hearing protection to make sure its use is permitted.

Always stay completely inside the QUADRICYCLE and hold the steering wheel or hand holds. Body parts outside of the QUADRICYCLE can be struck by passing objects or crushed during a rollover. Do not put any part of your body outside of the QUADRICYCLE for any reason. Do not hold onto the ROPS frame or put any part of your body on the door.

Riding in this QUADRICYCLE without closed and latched cab doors increases the risk of serious injury or death in the event of an accident or rollover. Always make sure all cab doors are closed and latched while riding in this QUADRICYCLE.

Be sure riders pay attention and plan ahead. If you think or feel the QUADRICYCLE may tip or roll, reduce your risk of injury:

- Keep a firm grip on the steering wheel or hand holds and brace yourself.
- Do not put any part of your body outside of the QUADRICYCLE for any reason.

This QUADRICYCLE is not designed to carry unrestrained pets. An unrestrained pet can be thrown about and injure riders, even during normal operation. When transporting pets, use a pet crate suitable for off-road use that is secured to the QUADRICYCLE.

Fuels such as gasoline can be extremely flammable. To reduce the risk of serious injury or death, never carry fuel or other flammable liquids on this QUADRICYCLE. Rollovers, crashes, rough riding, or changes in elevation or temperature may lead to fuel spilling or vapor release from portable containers. Hot QUADRICYCLE parts can cause fires, even after the engine has been turned off.

Never exceed QUADRICYCLE weight capacities. The QUADRICYCLE's maximum weight capacity (including riders, cargo, and accessories) depending on model. The cargo box can support up to 220 kg of that total. When more rider weight is added, cargo weight may need to be eliminated to stay under the limit. Overloading the QUADRICYCLE or carrying cargo improperly will cause changes in stability and handling, which could cause loss of control or an accident.

Secure cargo in the cargo box as far forward, centered and as low as possible. When cargo cannot be positioned and secured in this way, operate with extra caution. Unsecured cargo can strike and injure riders, affect QUADRICYCLE handling, and result in loss of control.

The weight of riders and cargo changes QUADRICYCLE braking, handling, and stability. To avoid loss of control, turn gradually, operate at slower speeds, and avoid rougher or steeper terrain.

DRIVING GUIDELINES

Drive responsibly. This QUADRICYCLE is not a toy and can be hazardous to operate. This

QUADRICYCLE has higher ground clearance and other features to handle rugged terrain. It can be overturned in situations where some other QUADRICYCLES may not.

Abrupt maneuvers or aggressive driving, even on flat, open areas, can cause loss of control, rollovers, severe injury or death. To avoid loss of control and rollovers:



- Avoid abrupt maneuvers, sideways sliding, skidding, or fishtailing, and never do donuts.
- Slow down before entering turn.
- Avoid hard acceleration when turning, even from a stop.

High speed off-road operation

Driving off-road QUADRICYCLES to test the limits of your skills or abilities can be very dangerous to you, passengers, and bystanders. Basic skills for driving a car, ATV, or other off-road QUADRICYCLES do not equip drivers to safely attempt high speed off-road operation. Develop your skill gradually through training, practice, and experience with the various driving modes of this QUADRICYCLE and the terrain in which you are operating. Always do a low speed reconnaissance run (pre-run) to become aware of anything you may encounter.

High speed off-road operation can lead to loss of control, crashes, or hard landings that can seriously injure occupants (even without rolling the QUADRICYCLE or damaging it).

If you plan on using the QUADRICYCLE for high speed, off-road competition, additional safety equipment may be necessary. Check the rules that apply to your competition.

Do not go over jumps — going airborne can lead to serious injury or death.

Going airborne can cause loss of control, rollovers, or crashing into the ground and may damage the QUADRICYCLE. Even without crashing, landings can be hard enough to cause any QUADRICYCLE suspension to fully compress (e.g., bottom out). Serious injuries, including spinal injuries, can occur even if riders are properly harnessed, wearing helmets and the QUADRICYCLE is not damaged and remains upright.

You may encounter slopes, "jumps", or other terrain features that could send the QUADRICYCLE airborne, depending on your speed. These may be defectively designed, poorly maintained, or not suitable for this QUADRICYCLE. Slow down, use extra care, and avoid going airborne. Never take this QUADRICYCLE over jumps.

Watching someone else go over a jump or go airborne does not mean you can safely do so. EGIMOTORS cannot determine whether any jump you may encounter is appropriate for this QUADRICYCLE. Any jump, even a small one, could be poorly maintained, designed, or not suitable for this QUADRICYCLE and may cause serious injury or death.



Plan for hills, rough terrain, ruts, and other changes in traction and terrain. Proceed slowly and with extra care on unfamiliar terrain. Avoid paved surfaces. Sudden changes in terrain such as holes, depressions, banks, softer or harder ground, or other irregularities may cause loss of control or rollover. Give yourself time to react to rocks, bumps, or holes that may be hard to see. Operating in deep snow or tall grass may make it harder to see obstacles.

If you cannot go around an obstacle, such as a fallen tree or a ditch, stop the QUADRICYCLE in a safe place. Get out to inspect the area thoroughly. Look from both your approach side and exit side. If you are reasonably confident you can continue safely, choose the path that will allow you to go straight over the obstacle to minimize the QUADRICYCLE tipping sideways. Go only fast enough to maintain your momentum, but still give yourself plenty of time to react to changes in conditions. If there is any question about your ability to maneuver safely over the obstacle, you should turn around if the ground is flat and you have the room, or back up until you find a less difficult path.

Abrupt application of the accelerator pedal can cause the tires to lose traction, reducing control of the QUADRICYCLE and increasing the possibility of an accident, especially while on sloped terrain or while crossing obstacles such as rocks or logs.

This Quadricycle is approved for on-road use.

Improperly operating on hills can cause loss of control, rollover, or accident, which can lead to serious injury or death. Use extra care when operating on hills. Plan for rough terrain, ruts, and other changes in traction and terrain.

Driving up hills

Check the terrain before ascending a hill and make sure it is not too slippery or loose. Engage all-wheel drive for hills. Drive straight uphill, keeping speed and throttle steady. Avoid steep hills which can cause the QUADRICYCLE to overturn.

SAFETY

Recovering from stalling on a hill

If the QUADRICYCLE loses forward speed, apply the brakes gradually and stop. Do not attempt to turn the QUADRICYCLE around. Instead, shift to reverse and allow the QUADRICYCLE to slowly roll straight downhill. Apply light brake pressure to control speed.

Overtopping a hill

Slow down when you reach the crest of a hill. Never blindly go over the crest of a hill or a drop off at high speed. An obstacle, a sharp drop, or another QUADRICYCLE or person could be on the other side of the hill.

Driving down hills

Check the terrain before descending a hill and make sure it is not too slippery or loose. Engage all-wheel drive and proceed slowly, applying the brakes lightly. Never descend a hill with the transmission in neutral or if the engine is turned off.

Avoid side hilling (riding across slopes)

If unavoidable, proceed slowly and with extra caution. Avoid obstacles and changes in terrain that could cause the QUADRICYCLE to tip or slide. If it feels like the QUADRICYCLE begins to tip or slide, immediately turn downhill.

Riding near wooded areas or brush

Use extra caution when operating near trees, particularly when operating on narrow trails. Tree branches or brush can be driven into the cab striking or stabbing occupants.



Riding in snow

Always keep the brake and accelerator pedals free of snow and ice. Apply the brakes frequently to prevent ice or snow accumulation on the brake pads which can reduce brake performance.

Riding on ice

Never operate the QUADRICYCLE on a frozen body of water unless you have verified that the ice can support the weight of the QUADRICYCLE. Severe injury or death can result if the QUADRICYCLE falls through the ice.

Riding in water / Falling into water

Operating through deep or fast-flowing water can cause loss of traction, loss of control, overturning, or being swept away in water. You can be seriously injured or killed from entrapment and drowning. Never operate the QUADRICYCLE in fast-flowing water or in water that exceeds the floor level of the QUADRICYCLE. Avoid sharp drop-offs and large rocks. Choose a path that provides an entrance and exit point with gradual inclines. Wet brakes may have reduced stopping ability. After leaving water, test the brakes. Apply them lightly several times while driving slowly. The friction will help dry out the pads.

Riding on sand dunes

Use extra caution when operating on or near dunes. Be alert for changes in terrain. Never blindly go over the crest of a hill or a drop-off at high speed. An obstacle, a sharp drop, or another QUADRICYCLE or a person could be on the other side of the hill.

Riding in low-visibility conditions

Use extra caution and drive slowly in conditions of reduced visibility such as fog, rain, and darkness.

Plan ahead to avoid the need for evasive maneuvers, such as swerving.

Hitting an obstacle — including wildlife — you are not ready for can be dangerous. Choosing to swerve instead can be even more dangerous because it can lead to loss of control, rollover, or collisions.

When operating in areas with possibility of wildlife appearing in your path, plan ahead to avoid swerving for animals if doing so could result in collisions or rollovers. Go slowly or avoid driving during seasons or times of day when animals such as deer are more likely to cross your path without warning.

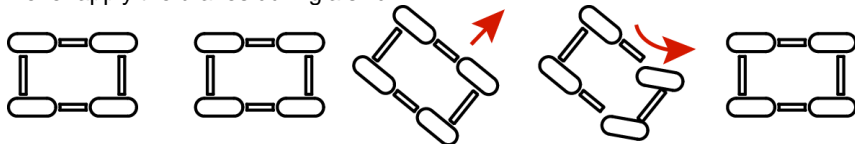
Avoid Collisions With Other QUADRICYCLES

When following another QUADRICYCLE or operating in the same area as others, keep a safe distance to avoid collisions. Allow extra space when sight distances are limited by dust, snow, curves, hills, or other conditions. Plan ahead to avoid having to swerve or leave the trail to avoid a collision.

On trails, be prepared to make space for other QUADRICYCLES to pass. If you need to stop on a trail, move your QUADRICYCLE to the edge of the path to allow others to pass safely.

Correct a skid by turning the steering wheel in the direction of the skid.

Never apply the brakes during a skid.



If the QUADRICYCLE begins to slide downhill or you feel it may tip, turn downhill immediately and stop. Maneuver slowly and carefully until you can drive straight downhill.

Do not continue driving if your QUADRICYCLE may be damaged or if you were in a crash or rollover.

Operating the QUADRICYCLE while damaged or after a crash or rollover can cause loss of control, rollover, or accident, which can lead to serious injury or death. If you cannot safely transport the QUADRICYCLE on your own, contact a recovery and towing service.

After any crash, rollover, or other accident, have a EGIMOTORS dealer inspect the QUADRICYCLE for possible damage, including seat belts, ROPS, brakes, suspension, and steering systems.

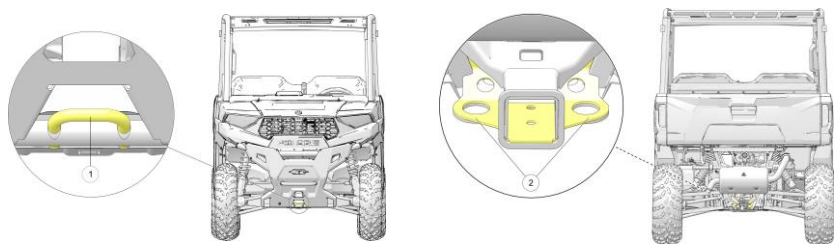
SAFETY

Be prepared in case your QUADRICYCLE becomes damaged or disabled, especially in remote areas. Consider in advance how to get help and stay safe until it arrives whenever you ride.

There is a recovery tow loop at the front and back of the QUADRICYCLE to attach a winch or strap.

Use these loops to recover this QUADRICYCLE if it is stuck, to pull it onto a tow truck, trailer, or to use this QUADRICYCLE to recover another QUADRICYCLE. These loops are for emergency recovery only and are not for towing QUADRICYCLES to another location.

Improper recovery may lead to loss of control or QUADRICYCLE damage. Only attach straps to specified locations. Do not attach to any other point on the QUADRICYCLE. Only recover a QUADRICYCLE of equal or lesser size and weight. When recovering a disabled QUADRICYCLE, place the disabled QUADRICYCLE's transmission in neutral. Do not move a disabled QUADRICYCLE faster than 16 km/h.



① Front tie-down point

② Rear tie-down points

Operating, Idling, Or Parking Near Combustible Materials

Engine, exhaust, and other QUADRICYCLE components can be very hot during and after use. Do not idle or park the QUADRICYCLE over anything that could contact the exhaust system and catch on fire, such as tall grass, weeds, brush, leaves, debris, or other tall ground cover. Do not let mud, grass, or other debris accumulate on the engine or exhaust system. Inspect and remove as needed.

QUADRICYCLE rollaway can cause serious injury or death. This QUADRICYCLE can roll whenever the gear selector is not in the PARK (P) position. Always shift to PARK

(P) when stopping the engine or leaving the QUADRICYCLE. When leaving the QUADRICYCLE on an incline is unavoidable, use extra care. If leaving the QUADRICYCLE unattended, block the rear wheels on the downhill side and keep children, pets, and others away from the gear selector.

Before shifting into reverse, use extra care to make sure the area is clear of people or obstacles. When it's safe to proceed, back slowly.

After operation, inspect the QUADRICYCLE for damage and debris to make sure the QUADRICYCLE can be safely stored and operated again. Some things to inspect include:

- Debris that could catch fire, such as mud/grass near the engine or exhaust system
- Damage to the suspension, steering, or any other part of the QUADRICYCLE
- Tire condition, such as tread and sidewall damage
- Shock absorber assembly condition

Be sure to have any issues checked and problems fixed before operating again.

All engine exhaust contains carbon monoxide, a deadly gas. Breathing carbon monoxide can cause headaches, dizziness, drowsiness, nausea, confusion, and eventually death. Carbon monoxide is a colorless, odorless, tasteless gas which may be present even if you do not see or smell any engine exhaust. Deadly levels of carbon monoxide can collect rapidly, and you can quickly be overcome and unable to save yourself. Also, deadly levels of carbon monoxide can linger for hours or days in enclosed or poorly ventilated areas. If you experience any symptoms of carbon monoxide poisoning, leave the area immediately, get fresh air, and **SEEK MEDICAL TREATMENT**.

- Do not run engine indoors. Even if you try to ventilate engine exhaust with fans or open windows and doors, carbon monoxide can rapidly reach dangerous levels.
- Do not run engine in poorly ventilated or partially enclosed areas such as barns, garages, or carports. If you start a QUADRICYCLE in one of these, drive it out and close the door as soon as possible. If you drive it into one of these, turn it off as soon as possible.
- Do not run engine outdoors where engine exhaust can be drawn into a building through openings such as windows and doors.

The above list of hazards and overturning risk is not exhaustive.

SAFETY

TOWING LOADS

WARNING

Towing improperly can alter vehicle handling and may cause loss of control or brake instability.

Always follow these precautions when towing:

1. Never load more than 75 kg tongue weight on the towing bracket.

NOTICE

Strictly follow the instructions outlined in the operator's manual of the mounted or trailed machinery or trailer. Never operate the combination tractor — trailer unless all instructions have been followed.

2. Always shift to low gear for towing.
3. When towing a disabled *RANGER QUADRICYCLE*, place the disabled *QUADRICYCLE*'s transmission in neutral. Do not operate the *QUADRICYCLE* faster than 16 km/h when towing.
4. Towing a trailer increases braking distance. Do not operate the *QUADRICYCLE* faster than 16 km/h when towing.
5. Do not tow more than the recommended weight for the *QUADRICYCLE*. See the towing capacity chart below and the specifications chart beginning on .
6. Attach a trailer to the trailer hitch bracket only. Do not attach a trailer to any other location or you may lose control of the *QUADRICYCLE*.
7. Never tow a trailer on a grade steeper than 15°.
8. Always be mindful of the trailer's reaction to *QUADRICYCLE* movements when driving off-road.

MODEL	MAXIMUM CAPACITIES*	CARGO BOX
<i>RANGER 570</i>	250 kg	200 kg

*Level Ground

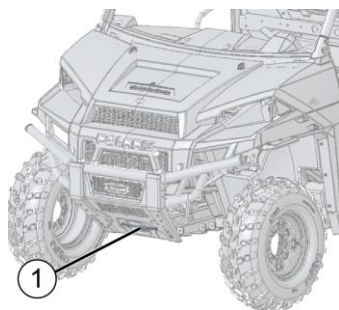
BELT LIFE

To extend belt life, use the lowest gear possible when hauling or towing heavy cargo. Using high gear for heavy loads, hilly terrain or in wet, muddy conditions will increase the chance of drive belt burning.

TOWING A RANGER

Towing this QUADRICYCLE is not recommended. Always transport the QUADRICYCLE on a trailer or flatbed with all four wheels off the ground.

If towing a disabled QUADRICYCLE is unavoidable, place the disabled QUADRICYCLE's transmission in neutral. Tow the shortest distance possible using the front towing device ①. Do not operate faster than 16 km/h.



LIGHTNING AND POWERLINES

Avoid operating this QUADRICYCLE when lightning could occur and when near powerlines. Rubber tires, rubber handgrips, and a foam seat will not protect a rider from lightning strikes or electrical surges. Always seek safe shelter when lightning is imminent, and keep a safe distance from powerlines at all times.

HOT EXHAUST SYSTEMS



Exhaust system components are very hot during and after use of the vehicle. Hot components can cause burns and fire. Do not touch hot exhaust system components. Always keep combustible materials away from the exhaust system.

Use caution when traveling through tall grass, especially dry grass and when traveling through muddy conditions. Always inspect the underside of the vehicle and areas near the exhaust system after driving through tall grass, weeds, brush, other tall ground cover, and muddy conditions. Promptly remove any grass, debris or foreign matter clinging to the vehicle and pay particular attention to the exhaust system area.



FORESTRY APPLICATION AND CROP SPRAYING

This QUADRICYCLE does not have a Falling Objects Protective Structure (FOPS). Do not use the QUADRICYCLE in forestry application situations where the risk of falling objects may be present.

This QUADRICYCLE is not equipped for protection against hazardous substances. It does not offer any protection against substances which are harmful to health. Always wear proper personal protective equipment if this QUADRICYCLE is used for crop spraying or other applications requiring the use of hazardous substances.

FUEL

WARNING

Gasoline and gasoline vapor is highly flammable and explosive. Refuel outdoors or in a well ventilated area free of any source of flame or sparks, including pilot lights from water heaters, furnaces, or clothes dryers. To avoid fires and explosions, follow these precautions when refueling.

- Do not smoke.
- Wipe up any spilled fuel.

REFUELING

The fuel tank filler cap is located on the right side of the QUADRICYCLE near the passenger seat.

The fuel symbol and the last fuel bar on the Instrument Cluster will blink when the fuel level reaches 1/8th tank. There will be approximately 8 L of fuel remaining. Refuel as soon as possible. *Do not allow the QUADRICYCLE to run out of fuel.*

WARNING

Gasoline is poisonous. To avoid injury or death, avoid contact with gasoline and follow these precautions:

- Never attempt to siphon gasoline by mouth.
- If gasoline is ingested, contacts eyes, or gasoline vapor is inhaled, immediately seek medical attention.
- If gasoline contacts skin, wash with soap and water.
- If gasoline contacts clothes, change out of them.

To refuel:

1. Place the transmission into Park on a level surface.
2. Turn off the engine.
3. Make sure no one is inside the QUADRICYCLE.
4. Fill with fuel, leaving the tank neck empty.
5. Securely close fuel cap.

SAFETY

WARNING

Gasoline can expand while inside the tank. To avoid fires and explosions, do not overfill the tank. Allow room for gasoline to expand inside the tank by leaving the tank neck empty.

- Use only 87 octane (or higher) unleaded fuel (minimum pump octane number of 87 R+M/2)
- Do not use any fuel lower than 87 octane.
- Do not fuel containing more than 10% ethanol (including E85)

NOTICE

Damage to the fuel pump will occur if the vehicle is operated with an empty fuel tank. Do not allow the vehicle to run out of fuel. Always refuel when the level is low.

NOTICE

Operating with obstructed fuel systems will result in serious engine damage. Perform maintenance as recommended.

NOTICE

Prolonged exposure to petroleum based products may damage paint. Always protect painted surfaces when handling fuel.

HANDLING GASOLINE

Gasoline is highly flammable and explosive under certain conditions.

- Always exercise extreme caution whenever handling gasoline.
- Always turn off the engine when refueling.
- Always refuel outdoors or in a well-ventilated area free of any source of flame or sparks.
- Always use an approved gasoline container to store fuel and remove the container from the QUADRICYCLE before filling to avoid fuel ignition due to electrical static discharge.
- Do not smoke or allow open flames or sparks in or near the area where refueling is performed or where gasoline is stored.
- Do not overfill the tank. Do not fill the tank neck.
- If gasoline spills on your skin or clothing, immediately wash it off with soap and water and change clothing.

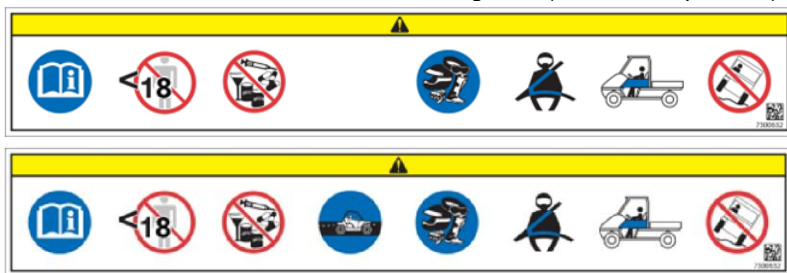
SAFETY LABELS AND LOCATIONS

Warning labels have been placed on the QUADRICYCLE for your protection. Read and follow the instructions of the labels on the QUADRICYCLE carefully. If any of the labels depicted in this manual differ from the labels on your QUADRICYCLE, always read and follow the instructions of the labels *on the QUADRICYCLE*.

If any label becomes illegible or comes off, contact your EGIMOTORS dealer to purchase a replacement. Replacement *safety* labels are provided by EGIMOTORS at no charge.

GENERAL ALERT

The General Alert decal is location on the cargo box (two variants possible).



WARNING

Read your owner's manual. Never allow anyone under 18 years of age to operate this QUADRICYCLE. Never use alcohol or drugs before or while driving or riding. This QUADRICYCLE is approved for on-road operation. Wear approved helmet, goggles, and protective clothing. Always wear seat belts. Always use the cab nets or doors. Avoid aggressive driving maneuvers that may cause vehicle tipping or rollover.

RADIATOR CAP WARNING

WARNING

Hot pressurized fluid can cause serious burns. Do not touch radiator cap when hot. Open slowly.
Part Number: 7300767



SAFETY

JACKING POINTS ALERT

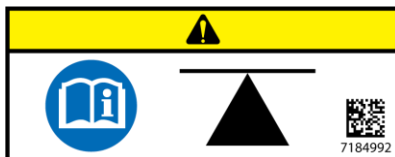
The Jacking Point Alert decal is located in the cargo box.

⚠ CAUTION

Jacking positions are located beneath the QUADRICYCLE's center points.

Part number: 7184992

Note: not on all models



GREASING POINTS ALERT

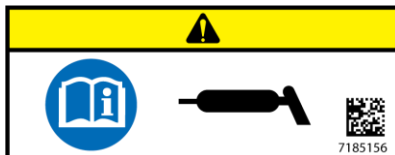
The Greasing Points Alert is located on the cargo box.

⚠ CAUTION

Lubricate as recommended. Read owner's manual.

Part number: 7185156

Note: not on all models



FUEL ALERT

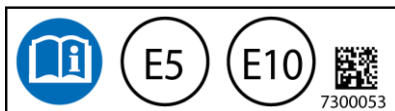
The fuel alert is located in front of the fuel cap.

⚠ CAUTION

Compatible Fuel Types E5 and E10

Part number: 7300053

Note: not on all models



INTAKE ALERT

The Intake Alert Caution label is located on the air intake.

⚠ CAUTION

Use a EGIMOTORS approved air filter. The use of a non-EGIMOTORS approved air filter may cause engine damage. Before installing filter ensure there is no dirt or debris in the clean side of the intake tube. The air filter must be properly seated and the hinges fully inserted when the lid is reinstalled. Please reference your owner's manual for additional information regarding the air filter service.

Part number: 7185975



CLUTCH COVER ALERT

The Clutch Cover Warning decal is located on the clutch cover.

⚠ WARNING

Improper service or maintenance of this PVT system can result in QUADRICYCLE damage, SEVERE INJURY or DEATH.

Always look for and remove debris inside and around clutch and vent system when replacing belt.

Read owner's manual or see authorized EGIMOTORS dealer.

Part number: 7181427

**SHIFT ALERT**

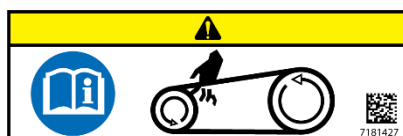
The Shift Alert label is located on the front console.

⚠ WARNING

To avoid transmission damage, shift only when QUADRICYCLE is stationary and at idle.

APPLY BRAKE TO START. When this QUADRICYCLE is not in operation, or unattended, place shift in the park position.

Part number: 7183987

**SAFETY ALERT**

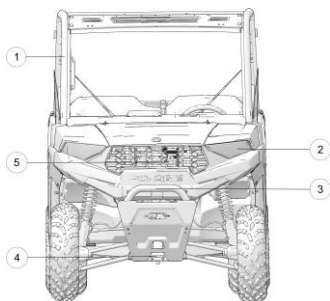
The Safety Alert are located on both side of the vehicle and on the dash.

FEATURES AND CONTROLS

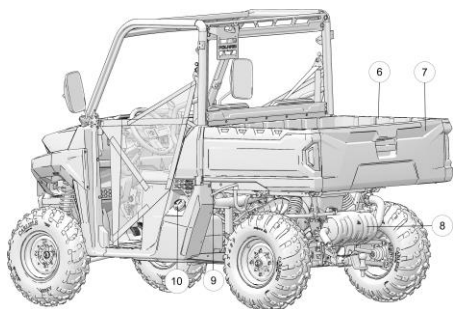
FEATURES AND CONTROLS

COMPONENT LOCATIONS

- ① ROPS (Roll Over Protection System)
- ② Headlight
- ③ Front Bumper/ Brush Guard
- ④ Tie Down Point
- ⑤ Radiator (behind removable grille)



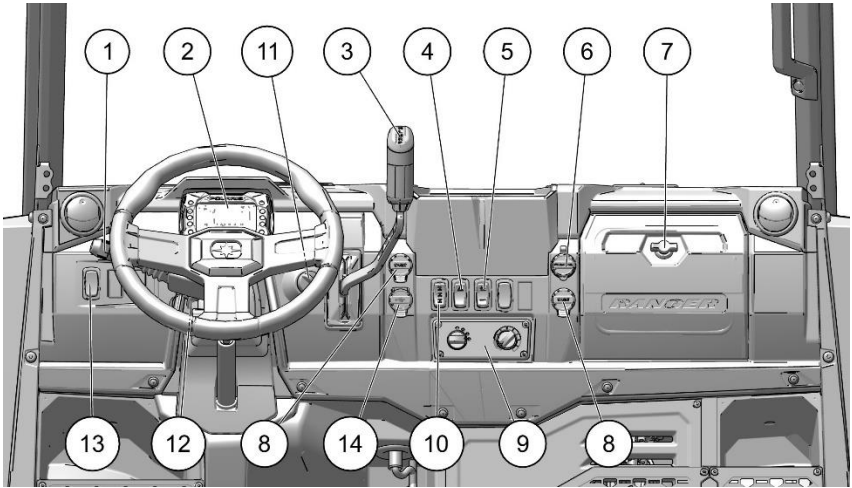
- ⑥ Cargo Box
- ⑦ Tailgate
- ⑧ Muffler (Spark Arrestor)
- ⑨ Cargo Box Lever
- ⑩ Fuel Cap



- ⑪ Seatbelt
- ⑫ Electrical Compartment (under seat)



CONSOLE



- | | |
|---------------------------------|--------------------------------------|
| ① Turn Signal/Light Switch | ⑧ 12V Auxiliary Outlet (if equipped) |
| ② Instrument Cluster | ⑨ Cab Heater Controls (if equipped) |
| ③ Gear Selector (Shifter) | ⑩ AWD Switch |
| ④ Hazard Switch (if equipped) | ⑪ Ignition Switch |
| ⑤ ADC Switch (if equipped) | ⑫ Steering Wheel Adjustment Lever |
| ⑥ Battery Trickle Charge Outlet | ⑬ Winch Switch (if equipped) |
| ⑦ Storage Compartment | ⑭ USB Outlet |

FEATURES AND CONTROLS

ADJUSTABLE STEERING WHEEL

The steering wheel can be tilted upward or downward for rider preference.

Lift and hold the adjustment lever toward you while moving the steering wheel upward or downward. Release the lever when the steering wheel is at the desired position.

AUXILIARY OUTLET

The QUADRICYCLE is equipped with 12-volt accessory outlets on the dash. Use the outlets to power an auxiliary light or other optional accessories or lights. For service, the dash outlet connection is under the dash.



BATTERY TRICKLE-CHARGING OUTLET

The QUADRICYCLE is equipped with a dedicated outlet for trickle-charging the battery during periods of extended inactivity.

If you do not drive the QUADRICYCLE for more than TWO WEEKS, EGIMOTORS recommends using a Battery MINDER® 2012 AGM - 2 AMP charger, which can be ordered through your dealer.

EGIMOTORS provides a charging accessory with your QUADRICYCLE that allows easy connection to the battery through the Battery Trickle-Charging Outlet, located on the dash. While charging, place the charger outside of the QUADRICYCLE and protect it from moisture.



USB OUTLET

The QUADRICYCLE is equipped with a single USB outlet in the center dash. The outlet consists of two USB terminals.



GEAR SELECTOR

Low gear is the primary driving range for the *RANGER*. High gear is intended for use on hard-packed surfaces with light loads. Using high gear for heavy loads, hilly terrain or in wet, muddy conditions will increase the chance of drive belt burning. See the Drive Belt Wear/Burn section for details.

H: High Gear

L: Low Gear

N: Neutral

R: Reverse

P: Park

To shift gears, brake to a complete stop. When the engine is idling, move the lever to the desired gear.

NOTICE

Shifting gears with the engine speed above idle or while the vehicle is moving could cause transmission damage. Always shift when the vehicle is stationary and the engine is at idle.

TIP

Maintaining shift linkage adjustment is important to assure proper transmission function. See your dealer if you experience any shifting problems.

USING LOW GEAR

Always shift into low gear for any of the following conditions.

- Operating in rough terrain or over obstacles
- Loading the QUADRICYCLE onto a trailer
- Towing heavy loads
- Driving frequently at low RPM or at ground speeds below 11 km/h

FEATURES AND CONTROLS

SWITCHES

MODE BUTTON

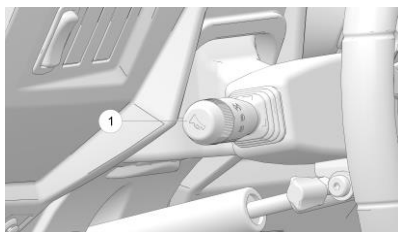
The MODE button is located on the instrument cluster. Use the MODE button to toggle through mode options available in the instrument cluster.

HIGH BEAM SWITCH

The headlight high beam is controlled by the turn signal lever. To switch the headlights to high beam, push the turn signal lever forward. Pull the turn signal lever rearward to switch headlights back to low beam..

HORN SWITCH

The horn switch is located on the turn signal lever ①. Press the tip of the turn signal lever inward to sound the horn.



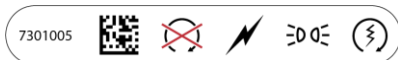
HAZARD SWITCH

Push the hazard warning switch to cause all turn signal lights to flash simultaneously. Both turn signal indicators on the console will also flash. Use this feature to alert others of an emergency or other situation requiring caution.



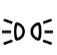



IGNITION SWITCH / LIGHT SWITCH

Use the ignition switch \mathfrak{q} to start the engine and to turn the lights on or off. The key can be removed from the switch when it is in the OFF position.



FEATURES AND CONTROLS

SYMBOL	DESCRIPTION
 OFF	Turn the key to the OFF position to stop the engine. Electrical circuits are off.
 LIGHTS ON	Electrical circuits are on. Electrical equipment can be used.
 POSITION LIGHTS ON	Headlights on/off via switch located on turn signal lever. Position lights are on. Electrical equipment can be used.
 START	Turn the key to the START position to engage the starter.

TURN SIGNAL LEVER

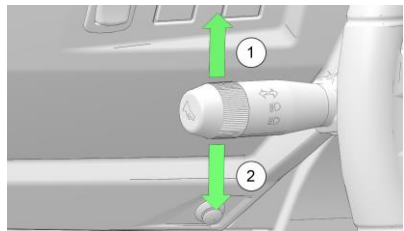
Before turning, activate a turn signal to alert others of your intentions. Check turn signal lamps before each ride.

TIP

The key must be in the ON position to activate the turn signals.

Move the lever upward ① to signal a right turn. The right signal lamps and indicator will flash.

Move the turn signal lever downward ② to signal a left turn. The left turn signal lamps in the taillight and below the front headlight will flash. The turn signal indicator in the gauge will also flash. Return the lever to the center position to end the signal.



HVAC CONTROL PANEL (IF EQUIPPED)



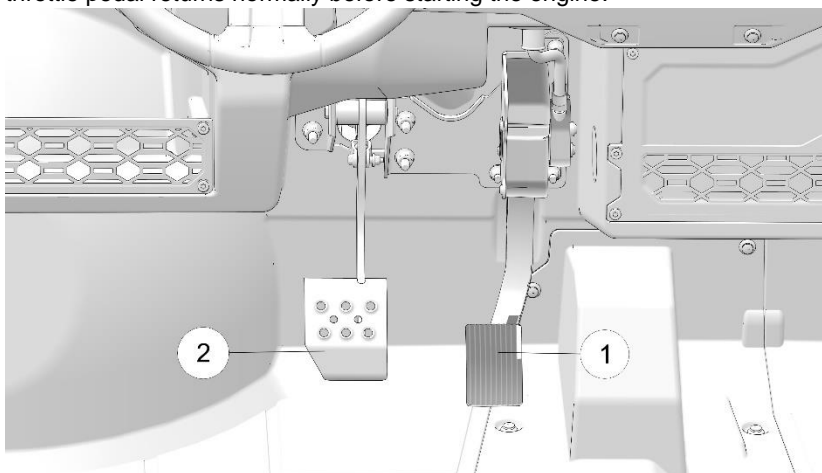
FEATURES AND CONTROLS

To operate the cab heater, rotate the fan control to the desired fan speed setting. The far left setting turns the fan off.

Adjust the temperature by rotating the temperature control to the desired heat setting. Rotate the control clockwise to increase heat or counter-clockwise to decrease heat.

THROTTLE PEDAL

Push the throttle pedal ① down to increase engine speed. Spring pressure returns the pedal to the rest position when released. Always check that the throttle pedal returns normally before starting the engine.



TIP

If the throttle pedal and brake pedal are applied simultaneously, engine power may be limited.

BRAKE PEDAL

Depress the brake pedal ② to slow or stop the QUADRICYCLE. Apply the brakes while starting the engine.

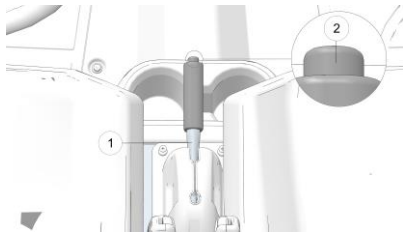
PARK BRAKE LEVER

Always apply the service brakes before engaging or releasing the park brake. To help prevent the QUADRICYCLE from rolling, set the park brake when parking the QUADRICYCLE. When the park brake is set and the park brake indicator is illuminated, engine speed is limited. If the accelerator is applied, this limiting feature prevents operation, which protects the park brake pads from excessive wear.

TIP

This feature will not operate properly if the park brake connector or switch (under the rubber boot) malfunctions or becomes disconnected, or if the switch has moved. Check for disconnection, then see your dealer or other qualified service person promptly if this feature fails to operate properly.

1. To set the park brake, apply the brakes.
2. Pull the park brake lever **①** upward as far as possible.
3. To release the park brake, apply the brakes. Press the park brake release **②** inward and move the lever downward as far as possible.



MIRRORS

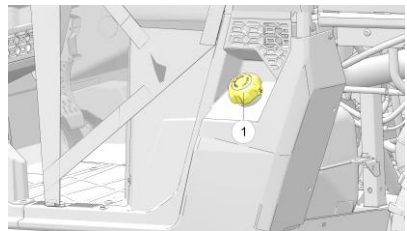
Use the mirrors to assist in traffic maneuvers. Always check and adjust the mirrors before driving the QUADRICYCLE.

FUEL CAP

NOTICE

Never use fuel blends with more than 10% ethanol. Engine damage could occur.

The fuel tank filler cap **①** is located on the right-hand side of the QUADRICYCLE near the passenger seat. When refueling, always use unleaded gasoline with a minimum pump octane number of 87 (R +M)/2 octane. Do not use fuel with ethanol content greater than 10 percent (including E-85 fuel). Compatible fuels: E5 and E10



FEATURES AND CONTROLS

ALL WHEEL DRIVE (AWD) SYSTEM

The All-Wheel Drive system is controlled by the AWD switch. The switch has three positions, AWD (4x4), 2WD (2x4) and Turf Mode (1x4).

When in AWD, the demand drive unit will automatically engage any time the rear wheels lose traction. When the rear wheels regain traction, the demand drive unit will automatically disengage.

To change mode push the button until you reach the mode of traction preferred.

RED – Wheel Drive (AWD)

NO LIGHT – Two Wheel Drive (2WD)

GREEN – Turf Mode / Differential Unlocked (1WD)



All Wheel Drive (AWD)

When the switch is on AWD, the quadricycle is in all wheel drive and the 4X4 indicator in the instrument cluster will be on.

There is no limit to the length of time the quadricycle may remain in AWD, and the light will be RED.



Two Wheel Drive (2WD)

When the switch is on 2X4, the quadricycle is in two-wheel drive at all times, only the rears wheels will have traction and the light will be OFF.



Turf Mode / Differential Unlocked (1WD)

When the key is turned on automatically the light GREEN will appear, and the quadricycle will be positioned to one wheel drive mode.



ENGAGING AWD

The AWD switch may be turned on or off while the vehicle is moving. Initially, the vehicle's electronic system will not enable the AWD until the engine RPM is below 3100. Once enabled, the AWD remains enabled until the AWD switch is turned off. If the switch is turned off while the demand drive unit is moving, it will not disengage until the rear wheels regain traction.

Engage the AWD switch before getting into conditions where front wheel drive may be needed. If the rear wheels are spinning, release the throttle before switching to AWD.

NOTICE

Switching to AWD while the rear wheels are spinning or slipping may cause severe drive shaft and gearcase damage. Always switch to AWD while the rear wheels have traction or are at rest.

DISENGAGING AWD

Push the switch to disengage AWD, when the Red light will be off your quadricycle will be in the 2 wheel drive mode.

If the switch pushed off while the front hubs are driving, they will not release until the rear wheels regain traction.

In some situations, the front gearcase may remain locked after turning the AWD switch off. If this occurs, you may notice increased steering effort and some vehicle speed restriction. Perform the following procedure to unlock the front gearcase.

1. Stop the vehicle.
2. Operate in reverse for at least 3 m.
3. Stop completely.
4. Shift into low gear and drive forward.
5. If the front gearcase remains locked after following these instructions, see your dealer for service.

LOCKING/UNLOCKING THE REAR DIFFERENTIAL

NOTICE

Damage to the differential can occur if it is engaged while the vehicle is traveling at high speeds or while the rear wheels are spinning. Slow the vehicle to nearly stopped before engaging the differential.

Locking the differential in slippery or low traction conditions helps improve traction. Push the switch to 2WD (light off position) to lock the differential and operate in rear wheel drive.

FEATURES AND CONTROLS

SEATS

CAUTION

Prolonged sun exposure can cause excessive heating of the steering wheel and seats. Use caution when handling hot surfaces to avoid burns.

NOTE

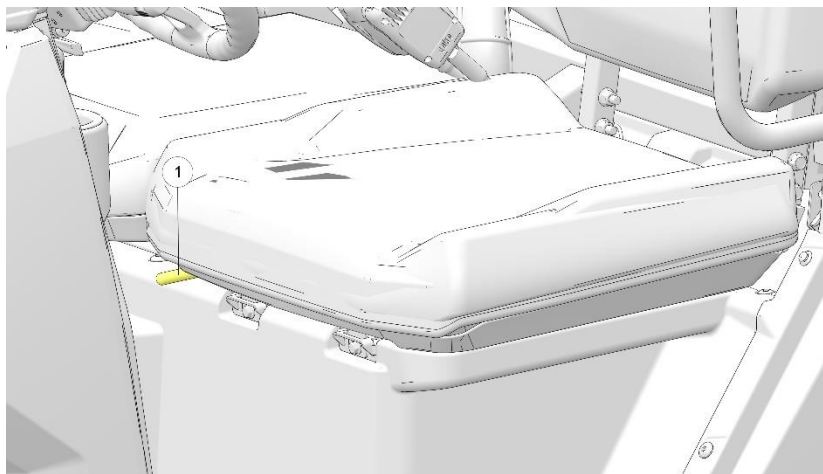
These seats are designed for this tractor model. Replacement with different seats is not possible.

Before operating the QUADRICYCLE, always push down on all seat backs to ensure the latches are secure.

SEAT ADJUSTMENTS

The driver's seat is equipped with an adjustment lever. Vertical adjustment of the seat is compensated by adjustment of the steering wheel.

- Pull the adjustment lever ① to the right to move the seat forward or rearward (150 mm travel distance). The seat back will move together with the seat bottom.
- Once the lever is released, the seat will lock into place.



SEAT REMOVAL

To remove the seat:

1. Lift up on the back of the seat.
2. Detach the seat assembly from the seat hinges.
3. Remove the seat from the QUADRICYCLE.

SEAT AND STORAGE COMPARTMENTS

The electrical compartment is located under the center rear-most seat. Never use this area for storage. Storage compartments are located under all other seats. Remove the storage bin under the right rear-most passenger seat to access the battery.

If your model is equipped with a storage console and cup holders located between the front seats, lift the console lid to access the storage compartment.

Pull the rear edge of a seat upward to release the latch pins from the grommets. Roll the seat forward to access the under-seat area. To completely remove a seat, roll the seat forward and lift the seat tabs from the seat base mounts.

Always make sure all seats are properly installed and securely latched before operating. Push down firmly on the rear of each seat until the latch pins are fully seated into the grommets.

ELECTRONIC POWER STEERING (IF EQUIPPED)

Electronic power steering (EPS) engages when the ignition key is turned to the ON position. EPS remains engaged whether the QUADRICYCLE is moving or idle. To conserve battery power, the EPS will shut down 5 minutes after the engine is stopped if the key remains in the ON position. The EPS warning indicator will illuminate to indicate the EPS has shut down. Turn the key off and on to reset the unit. If the light remains on after starting the engine, the EPS system is inoperative. See your EGIMOTORS dealer, or other qualified person, as soon as possible for repair. Continued operation could result in permanent damage to the EPS unit and increased steering effort.

CAB NETS (IF EQUIPPED)

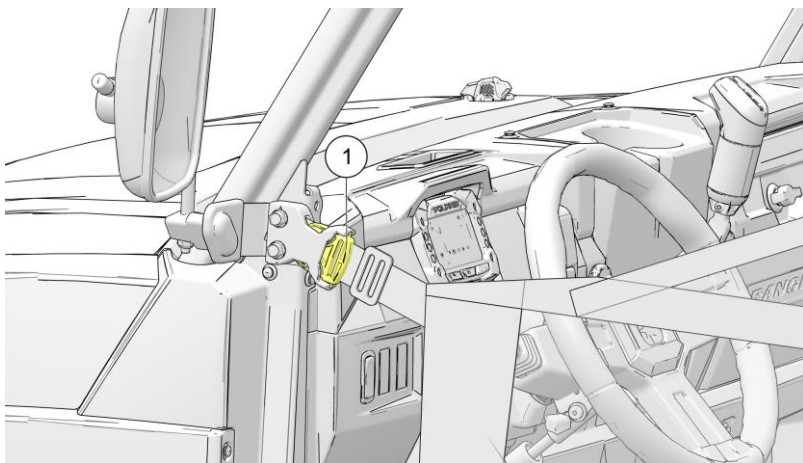
Riding in this QUADRICYCLE without using the cab nets (or doors, if equipped) increases the risk of serious injury or death in the event of an accident or rollover. Cab nets (or doors) must be used by both operator and passengers at all times. Make sure all latches are secure before operating the QUADRICYCLE.

Always inspect cab nets and latches for tightness, wear and damage before each use of the QUADRICYCLE. Use the strap adjusters to tighten any loose straps. Promptly replace worn or damaged cab nets and latches with new cab nets and latches. Your EGIMOTORS dealer can assist.

FEATURES AND CONTROLS

SECURING THE NET

1. After entering the QUADRICYCLE, connect the latch ① at the top edge of the net to the receiver latch mounted on the front frame.



OPENING THE NET

1. To exit the QUADRICYCLE, release the top front latch ①.
2. Allow the net to hang freely outside the QUADRICYCLE while dismounting.

SEAT BELTS



This EGIMOTORS QUADRICYCLE is equipped with three-point lap and diagonal seat belts on all seats. Always make sure the seat belts are secured for all riders before operating.

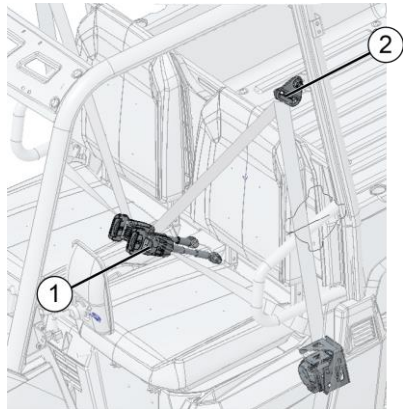
The driver's seat belt is equipped with a seat belt interlock. QUADRICYCLE speed will be limited to 24 km/h if the seat belt is not secured.

WARNING

Falling from a moving vehicle could result in serious injury or death. Always fasten your seat belt securely before operating or riding in the QUADRICYCLE.

To wear the seat belt properly, follow this procedure:

1. For 3-point belts with D loops , pull the seat belt latch downward and across your chest toward the buckle  at the inner edge of the seat. The belt should fit snugly across your hips and diagonally across your chest. Make sure the belt is not twisted.
2. Push the latch plate into the buckle until it clicks.
3. Release the strap, it will self-tighten.
4. To release the seat belt, press the square red button in the buckle's center.



SEAT BELT INSPECTION

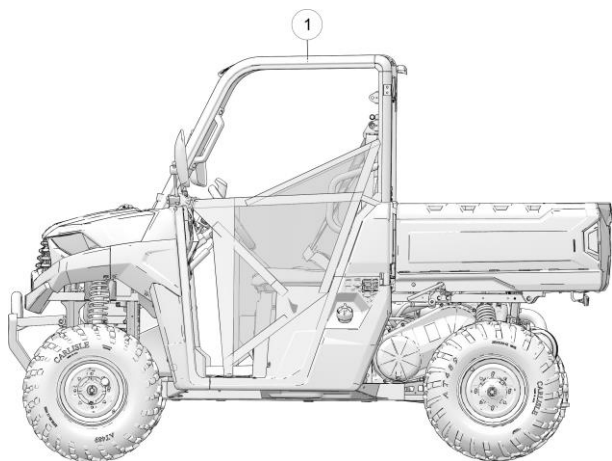
Inspect all seat belts for proper operation before each use of the QUADRICYCLE.

1. Push the latch plate into the buckle until it clicks. The latch plate must slide smoothly into the buckle. A click indicates that it's securely latched.
2. Push the red release latch in the middle of the buckle to make sure it releases freely.
3. Pull each seat belt completely out and inspect the full length for any damage, including cuts, wear, fraying or stiffness. If any damage is found, or if the seat belt does not operate properly, have the seat belt system checked and/or replaced by an authorized EGIMOTORS dealer.
4. To clean dirt or debris from the seat belts, sponge the straps with mild soap and water. Do not use bleach, dye or household detergents.

FEATURES AND CONTROLS

ROLLOVER PROTECTIVE STRUCTURE (ROPS)

The Rollover Protective Structure (ROPS) ① on this QUADRICYCLE meets OSHA® 1928.53 rollover performance requirements. Always have your authorized EGIMOTORS dealer thoroughly inspect the ROPS if it ever becomes damaged in any way.



No device can assure occupant protection in the event of a rollover. Always follow all safe operating practices outlined in this manual to avoid QUADRICYCLE rollover.

WARNING

Vehicle rollover could cause severe injury or death. Always avoid operating in a manner that could result in vehicle rollover.

TRAILER HITCH

This QUADRICYCLE is equipped with a receiver hitch bracket for a trailer hitch and trailer towing equipment.

NOTICE

To avoid injury and property damage, always heed the warnings and towing capacities outlined in the specification table.

WARNING

Whenever the vehicle is towing, always stay clear of the area between the vehicle and the towed object. Failure to do so may result in serious injury or death.

REAR HITCH

NOTICE

After 1000 km of use, tighten the bolt holding the trailer ball to the hitch to 445 Nm.

Use the rear hitch (if equipped) for towing a trailer. See the Hauling Cargo section for details and procedures.

The values given below pertain to factory-installed hitches and are provided for informational purposes only.

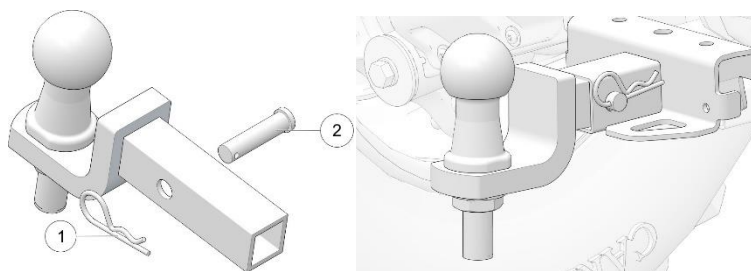
IMPORTANT

For vehicle-specific trailering values, see the Specifications chapter. The vehicle-specific values take precedent if they are lower than the component values shown below.

REAR HITCH COMPONENT SPECIFICATIONS

Maximum Vertical Load (S)	80kg
Maximum Towable Mass braked/unbraked	250kg / 250kg
Approval #	E20 55R-01 3487

HITCH REMOVAL / INSTALLATION



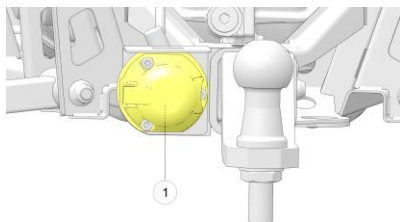
1. To remove the hitch (if equipped), remove the cotter pin (1) and hitch pin (2). Remove the hitch, then reinstall the hitch pin (2) and secure the cotter pin (1).
2. To install the hitch, remove the cotter pin (1) from the hitch pin and remove the hitch pin (2).
3. Install the hitch to the receiver.
4. Reinstall the hitch pin (from the left side of the hitch) through the bore of both the receiver and the hitch.
5. Reinstall the cotter pin. Make sure the hitch assembly is secure at that the cotter pin is properly engaged over the hitch pin.

7-WAY TRAILER CONNECTOR

The 7-way trailer connector installed on your QUADRICYCLE meets the requirements of European standard ISO 1724.

This connector uses all 7 pins on newer model trailers. An older model trailer may not be compatible with this connector.

Improper electrical wiring changes can result in damage to both QUADRICYCLE and trailer components. When in doubt about your trailer connection, please contact a qualified towbar specialist for assistance.

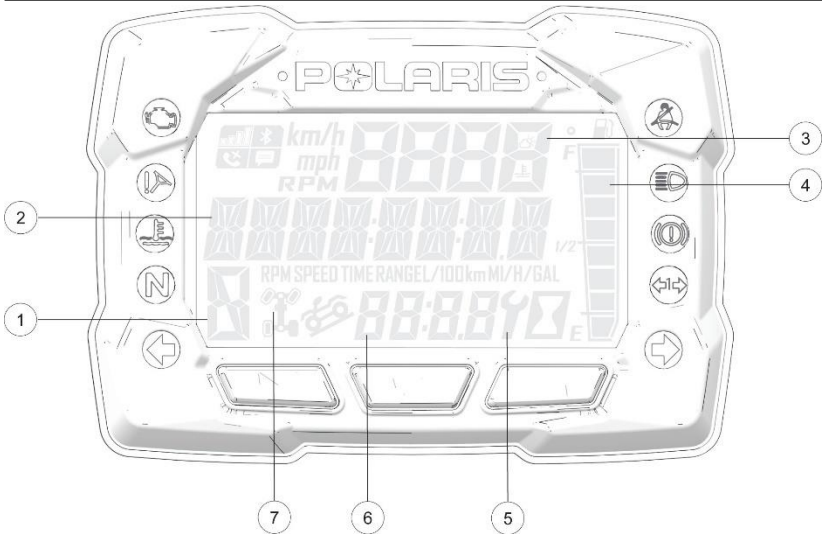


INSTRUMENT CLUSTER

OVERVIEW

NOTICE

Features and telltales vary by model.








DISPLAY AREA	FUNCTION
① Gear Indicator	H = High Gear L = Low Gear N = Neutral R = Reverse Gear P = Park – = Gear Signal Error (or shifter between gears)
② Display Area 2	This area displays odometer, trip meter, trip meter 2, voltage, engine temperature, engine hour meter, programmable service hour interval, ground speed, or engine RPM.
③ Display Area 1	This area displays engine RPM, ground speed, or coolant temperature.
④ Fuel Gauge	The segments of the fuel gauge show the level of fuel in the fuel tank. When the last segment clears, a low fuel warning is activated. All segments including the fuel icon will flash. Refuel immediately.




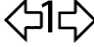
FEATURES AND CONTROLS

DISPLAY AREA	FUNCTION
⑤ Service Indicator	A flashing wrench symbol alerts the operator that the preset service interval has been reached. Your EGIMOTORS dealer can provide scheduled maintenance.
⑥ Clock	The clock displays time in a 12-hour or 24-hour format.
⑦ Driveline Mode Indicator	Segments of the indicator illuminate based on driveline mode engaged.

INDICATOR LAMPS

INDICATOR	ICON	FUNCTION
Check Engine		This indicator appears if a fault occurs. Do not operate the QUADRICYCLE if this warning appears. Serious engine damage could result. Your authorized EGIMOTORS dealer can assist.
EPS Warning (if equipped)		This indicator illuminates when a fault has occurred in the EPS system. Your authorized EGIMOTORS dealer can assist. EPS operation is possible with key on/engine off for up to 5 minutes.
Engine Hot		This lamp illuminates to indicate an overheated engine. If the indicator flashes, a severe overheating condition exists.
Neutral		This lamp illuminates when the transmission is in neutral and the ignition key is in the ON position.
Helmet/Seat Belt		This lamp is a reminder to the operator to ensure all riders are wearing helmets and seat belts before operating. The driver's seat belt is equipped with a seat belt interlock. QUADRICYCLE speed will be limited to 24 km/h if the seat belt is not secured.

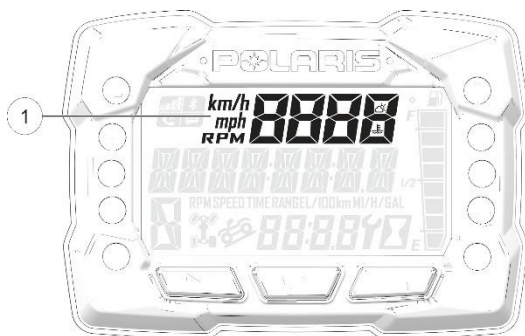
FEATURES AND CONTROLS

INDICATOR	ICON	FUNCTION
High Beam		This lamp illuminates when the headlamp switch is set to high beam.
Brake Failure (if equipped)		Lamp illuminates when Brake System (if Brake Failure Alarm is equipped) detects low fluid level in brake hydraulic system. Verify brake fluid in reservoir.
Turn Signals		One arrow flashes when the corresponding turn signal is activated. Both arrows flash when the hazard signal is activated. <i>If there is a problem in the signal system, the lamps will flash at twice the normal rate.</i>
Trailer Indicator (if equipped)		Lamp illuminates when trailer turn signals are active.

FEATURES AND CONTROLS

DISPLAY AREA 1

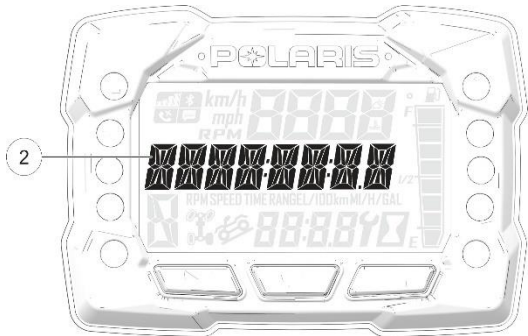
Pressing the MODE button will change the information displayed in Area 1 ①.



DISPLAY AREA 1	FUNCTION
Speed	The QUADRICYCLE's speed will be displayed in mph, or km/h.
Engine Temperature	The QUADRICYCLE's current engine temperature will be displayed.
RPM	The QUADRICYCLE's RPM will be displayed.

DISPLAY AREA 2

Toggle the Up/Down buttons to change the information displayed in Area 2 (2).



DISPLAY AREA 2	FUNCTION
Odometer	The QUADRICYCLE's odometer reading will be displayed.
Engine Temperature	The QUADRICYCLE Engine Temperature will be displayed.
Trip 1	The QUADRICYCLE Trip 1 mileage will be displayed.
Trip 2	The QUADRICYCLE Trip 2 mileage will be displayed.
RPM	The QUADRICYCLE RPM will be displayed.
Voltage	The QUADRICYCLE's current battery voltage will be displayed.
Speed	The QUADRICYCLE's current speed will be displayed.
Engine Hours	The QUADRICYCLE's engine hours will be displayed.
Service Hours	The QUADRICYCLE's service hours will be displayed.

FEATURES AND CONTROLS

OPTIONS MENU

From the options menu you can view diagnostic codes, access the advanced menu, set the clock, and much more. For a full list of available options see below.

To enter the Options Menu, press and hold the MODE button.



OPTIONS MENU	NOTES
Diagnostic Codes	Only displays if fault codes are present or stored
Advanced Menu (if equipped)	Set maximum speed, and geofencing settings.
Units - Distance	Select MPH or KPH
Units - Temp	Select between °F and °C
Clock (if equipped)	Select between 12H or 24H, and set time
Backlight Color	Select between Blue or Red
Backlight Level	Set backlight brightness level
Service Hours	View/Set Service hours
Exit Menu	Exit

DIAGNOSTIC CODE

Diagnostic Code Screen will show available MIL that has come on during that ignition cycle.

To access the Diagnostic Code Screen, do the following:

1. Press and hold the MODE button to enter the Options Menu. "OPTIONS" will display on the screen for 3 seconds before showing first menu item.



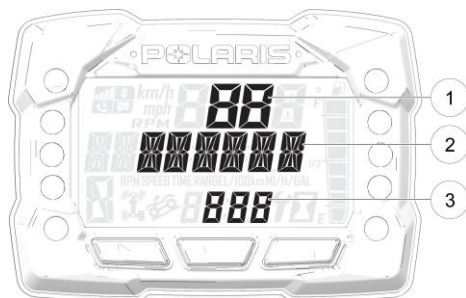
2. Select "Diagnostic Codes" from the Options Menu by pressing the MODE button.

Toggle the Up/Down Buttons to cycle through Code(s).

NOTICE

This option will only be available if a fault code was set or is active during the current ignition key 'on' cycle. Turning off the ignition will clear any save fault codes from the gauge.

- ① Display area 1 will show FMI
- ② Display area 2 will show SPN
- ③ Clock Area will show Count.



FEATURES AND CONTROLS

NOTICE

When the gauge is displaying a fault code, the warning telltale (check engine or EPS) will blink to indicate which controller set the fault code.

- To exit the Options Menu the user can select Exit Menu function from Options Menu, can hold Mode Button and exit out of Options Menu, or not press any button for 10 seconds, which will exit out of the Options Menu.

DIAGNOSTIC DISPLAY CODE DEFINITIONS

Open Load: There is a break in the wires that lead to the item listed in the chart (injector, fuel pump, etc.), or the item has failed.

Short-to-Ground: The wire is shorted to ground between the electronic control unit and the item listed in the chart.

Shorted Load: The wires leading to the item listed in the chart are shorted together, or the item has shorted internally.

Short-to-Battery: The wire leading from the item listed in the chart to the electronic control unit is shorted to a wire at battery voltage.

DIAGNOSTIC CODES			
COMPONENT	CONDITION	SPN	FMI
Throttle Position Sensor	Voltage Too High	51	3
	Voltage Too Low	51	4
Engine Temperature Sensor	Voltage Too High	110	3
	Voltage Too Low	110	4
	Temperature Too High	110	16
	Engine Overheat Shutdown	110	0
Intake Air Temperature Sensor	Voltage Too High	105	3
	Voltage Too Low	105	4
Manifold Absolute Pressure Sensor	Voltage Too High	102	3
	Voltage Too Low	102	4
	Signal Out of Range	102	2
Crankshaft Position Sensor	Circuit Fault	636	8
	Plausibility Fault	636	2

FEATURES AND CONTROLS

DIAGNOSTIC CODES			
COMPONENT	CONDITION	SPN	FMI
QUADRICYCLE Speed Signal	Speed Too High	84	8
	Plausibility Fault	84	2
Gear Sensor Signal	Voltage Too Low	523	4
	Voltage Too High	523	3
	Signal Fault	523	2
Injector 1 (MAG) (SDI Part Load)	Driver Circuit Open/Grounded	651	5
	Driver Circuit Short to B+	651	3
	Driver Circuit Grounded	651	4
Injector 2 (PTO) (SDI Part Load)	Driver Circuit Open/Grounded	652	5
	Driver Circuit Short to B+	652	3
	Driver Circuit Grounded	652	4
Ignition Coil Primary Driver 1 (MAG)	Driver Circuit Short to B+	1268	3
Ignition Coil Primary Driver 2 (PTO)	Driver Circuit Short to B+	1269	3
Fuel Pump Driver Circuit	Driver Circuit Open/Grounded	1347	5
	Driver Circuit Short to B+	1347	3
	Driver Circuit Grounded	1347	4
Fan Relay Driver Circuit	Driver Circuit Open/Grounded	1071	5
	Driver Circuit Short to B+	1071	3
	Driver Circuit Grounded	1071	4

FEATURES AND CONTROLS

DIAGNOSTIC CODES			
COMPONENT	CONDITION	SPN	FMI
Idle Air Control	Driver Circuit Open/Grounded	634	5
	Driver Circuit Short to B+	634	3
	Driver Circuit Grounded	634	4
	Position Out of Range	634	7
Starter Enable Circuit	Driver Circuit Open/Grounded	1321	5
	Driver Circuit Short to B+	1321	3
	Driver Circuit Grounded	1321	4
Chassis Relay	Driver Circuit Open/Grounded	520208	5
	Driver Circuit Short to B+	520208	3
	Driver Circuit Grounded	520208	4
All Wheel Drive Control	Driver Circuit Open/Grounded	520207	5
	Driver Circuit Short to B+	520207	3
	Driver Circuit Grounded	520207	4
System Power	Voltage Too High	168	3
	Voltage Too Low	168	4
Throttle Safety Signal	Voltage Too High	520194	3
	Voltage Too Low	520194	4
	Signal Out of Range	520194	2
	Throttle Stuck	520194	7
Active Descent Control System	Driver Circuit Open/Grounded	520203	5

FEATURES AND CONTROLS

DIAGNOSTIC CODES			
COMPONENT	CONDITION	SPN	FMI
	Driver Circuit Short to B+	520203	3
	Driver Circuit Grounded	520203	4
Idle Speed	Speed Too High	520211	3
	Speed Too Low	520211	4
Right Hand Control	Momentary Driveline Mode Switch Press	520468	31

DIAGNOSTIC CODES			
COMPONENT	CONDITION	SPN	FMI
EPS MODELS ONLY			
QUADRICYCLE Speed Sensor	Data Valid But Above Normal Operational Range - Most Severe Level	84	0
	Data Erratic, Intermittent Or Incorrect	84	2
	Abnormal Rate Of Change	84	10
	Received Network Data In Error	84	19
System Power	Data Valid But Above Normal Operational Range - Most Severe Level	168	0
	Voltage Above Normal, Or Shorted To High Source	168	3
	Voltage Below Normal, Or Shorted To Low Source	168	4
Engine Speed	Data Valid But Above Normal Operational Range - Most Severe Level	190	0

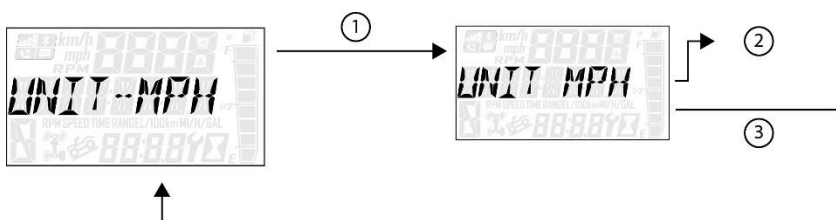
FEATURES AND CONTROLS

DIAGNOSTIC CODES			
COMPONENT	CONDITION	SPN	FMI
EPS MODELS ONLY			
	Data Erratic, Intermittent Or Incorrect	190	2
	Received Network Data In Error	190	19
ECU Memory	Bad Intelligent Device Or Component	628	12
	Out Of Calibration	628	13
Calibration	Out Of Calibration	630	13
Steering Over Current Shut Down	Current Above Normal Or Grounded Circuit	520221	6
Steering Excessive Current Error	Current Above Normal Or Grounded Circuit	520222	6
Steering Torque Partial Failure	Condition Exists	520223	31
Steering Torque Full Failure	Condition Exists	520224	31
EPAS Inverter Temperature	Data Valid But Above Normal Operational Range - Most Severe Level	520225	0
	Data Valid But Above Normal Operating Range - Moderately Severe Level	520225	16
EPAS Communications Receive Data Error	Data Erratic, Intermittent Or Incorrect	520226	2
	Condition Exists	520226	31
Position Encoder Error	Root Cause Not Known	520228	11
	Bad Intelligent Device Or Component	520228	12
	Condition Exists	520228	31
EPAS Software Error	Bad Intelligent Device Or Component	520229	12

FEATURES AND CONTROLS

DIAGNOSTIC CODES			
COMPONENT	CONDITION	SPN	FMI
EPS MODELS ONLY			
	Condition Exists	520229	31
EPAS Power Save Condition	Condition Exists	520231	31
EPS SEPIC Voltage Error	Voltage Above Normal, Or Shorted To High Source	524086	3
	Voltage Below Normal, Or Shorted To Low Source	524086	4

UNIT SELECTION DISTANCE



1. Press and hold the MODE button to enter the Options Menu.

NOTICE

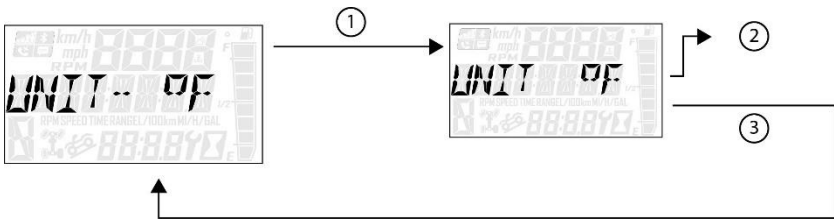
"OPTIONS" will display on the screen for 3 seconds before showing first menu item.

2. Select "Units-Distance" from the Options Menu by pressing the MODE button.

Reference the image shown above:

- ① Press the MODE button.
 - ② Toggle the Up/Down Buttons to change the units (MPH or KPH)
 - ③ With the correct unit displayed, Press the mode button which will set the unit and return to the Options Menu.
3. To exit the Options Menu the user can select Exit Menu function from Options Menu, can hold Mode Button and exit out of Options Menu, or not press any button for 10 seconds, which will exit out of the Options Menu.

UNIT SELECTION TEMPERATURE



1. Press and hold the MODE button to enter the Options Menu.

NOTICE

“OPTIONS” will display on the screen for 3 seconds before showing first menu item.

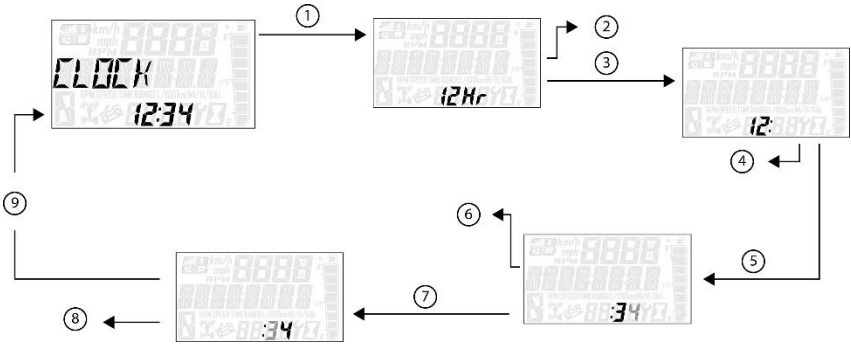
2. Select “Units - Temp” from the Options Menu by pressing the MODE button.

Reference the image shown above:

- ① Press the MODE button.
 - ② Toggle the Up/Down Buttons to change the units (°F or °C)
 - ③ With the correct unit displayed, Press the mode button which will set the unit and return to the Options Menu.
3. To exit the Options Menu the user can select Exit Menu function from Options Menu, can hold Mode Button and exit out of Options Menu, or not press any button for 10 seconds, which will exit out of the Options Menu.

FEATURES AND CONTROLS

CLOCK



1. Press and hold the MODE button to enter the Options Menu.

NOTICE

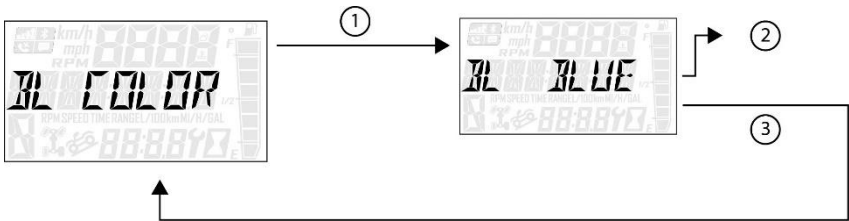
"OPTIONS" will display on the screen for 3 seconds before showing first menu item.

2. Select "Clock" from the Options Menu by pressing the MODE button.

Reference the image shown above:

- ① Press the MODE button.
 - ② Toggle the Up/Down Buttons to change the units (12H or 24H)
 - ③ With the correct unit displayed, Press the mode button which will set the unit.
 - ④ Toggle the Up/Down Buttons to change the units (Cycles Hours)
 - ⑤ With the correct unit displayed, Press the mode button which will set the unit.
 - ⑥ Toggle the Up/Down Buttons to change the units (Cycles 10s of Minutes)
 - ⑦ With the correct unit displayed, Press the mode button which will set the unit.
 - ⑧ Toggle the Up/Down Buttons to change the units (Cycles 1s of Minutes)
 - ⑨ With the correct unit displayed. Press the mode button which will set the unit and return to the Options menu.
3. To exit the Options Menu the user can select Exit Menu function from Options Menu, can hold Mode Button and exit out of Options Menu, or not press any button for 10 seconds, which will exit out of the Options Menu.

BACK LIGHT COLOR



1. Press and hold the MODE button to enter the Options Menu.

NOTICE

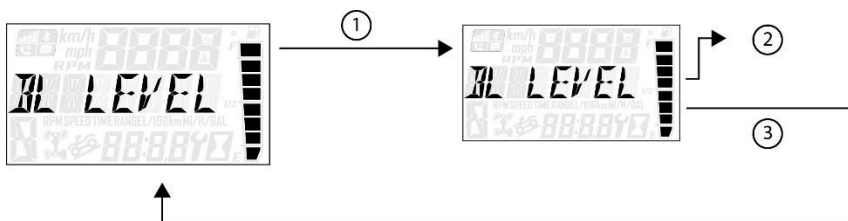
“OPTIONS” will display on the screen for 3 seconds before showing first menu item.

2. Select “Backlight Color” from the Options Menu by pressing the MODE button.

Reference the image shown above:

- ① Press the MODE button.
 - ② Toggle the Up/Down Buttons to change the units (Blue or Red)
 - ③ With the correct unit displayed, Press the MODE button which will set the unit and return to the Options Menu.
3. To exit the Options Menu the user can select Exit Menu function from Options Menu, can hold MODE Button and exit out of Options Menu, or not press any button for 10 seconds, which will exit out of the Options Menu.

BACK LIGHT LEVEL



1. Press and hold the MODE button to enter the Options Menu.

NOTICE

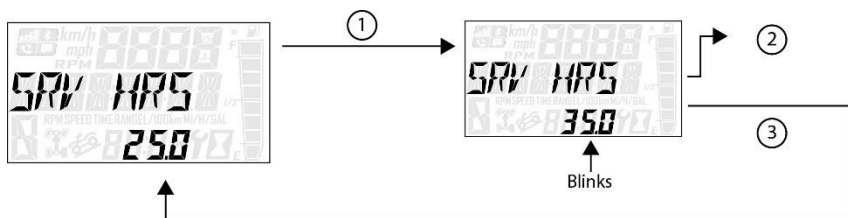
"OPTIONS" will display on the screen for 3 seconds before showing first menu item.

2. Select "Backlight Level" from the Options Menu by pressing the MODE button.

Reference the image shown above:

- ① Press the MODE button.
 - ② Toggle the Up/Down Buttons to change the units (Increase or Decrease Level)
 - ③ With the correct unit displayed, Press the MODE button which will set the unit and return to the Options Menu.
3. To exit the Options Menu the user can select Exit Menu function from Options Menu, can hold MODE Button and exit out of Options Menu, or not press any button for 10 seconds, which will exit out of the Options Menu.

SERVICE HOURS



1. Press and hold the MODE button to enter the Options Menu.

NOTICE

"OPTIONS" will display on the screen for 3 seconds before showing first menu item.

2. Select "Service Hours" from the Options Menu by pressing the MODE button.

Reference the image shown above:

- ① Press the MODE button.
- ② Toggle the Up/Down Buttons to change the units (0, 5, 10 - 95, 100)
- ③ With the correct unit displayed, press the MODE button, which will set the unit and return you to the Options Menu.

NOTICE

To reset service hours after they have counted down to "0.0", reselect the existing setpoint or select a new service hour value.

3. To exit the Options Menu the user can select Exit Menu function from Options Menu, can hold MODE Button and exit out of Options Menu, or not press any button for 10 seconds, which will exit out of the Options Menu.

FEATURES AND CONTROLS

PIN ACTIVATED SECURITY SYSTEM (P.A.S.S.) (IF EQUIPPED)

The optional PIN Activated Security System (P.A.S.S.) is to prevent unauthorized use. When enabled, the QUADRICYCLE cannot be operated until a valid passcode has been entered using the Instrument Cluster.

To enable/disable P.A.S.S. using the Instrument Cluster, follow the procedures below.

ENABLE P.A.S.S.

NOTICE

After activating P.A.S.S. for the first time you must power down the vehicle and allow the electronic control module (ECM) to fully shutdown before restarting. This may take up to three minutes.

Once a new passcode has been enabled, it cannot be changed unless you first disable the system. Then you can re-follow the steps outlined in the ENABLE P.A.S.S. section to enter a new passcode.

1. Press and hold the MODE button to enter the "OPTIONS" menu.
2. Use the UP/DOWN toggle buttons to cycle through options until "REQUIRE PIN TO START" appears. Press the MODE button to select.
3. If required, "ENTER NEW PIN" will appear. Use the UP/DOWN toggle buttons to cycle to your desired first digit. Press the MODE button to select the digit.
4. Continue until all four digits of your desired passcode have been selected. Once finished, "NEW PIN SET" will flash momentarily and then revert back to the "REQUIRE PIN TO START" screen.
5. To enable your new passcode, use the UP/DOWN toggle buttons to change the flashing "OFF" at bottom of screen to "ON". **If this step is skipped, P.A.S.S. will not be enabled.**
6. Press the MODE button to re-enter the "OPTIONS" menu. The QUADRICYCLE will now require passcode entry before next startup.

You can exit the "OPTIONS" menu three different ways.

- Toggle to "EXIT" and press the MODE button.
- Hold the MODE button for a few seconds.
- Do nothing, allowing the system to automatically revert back to the main screen.

NOTICE

If the battery becomes low while the P.A.S.S. system is enabled, the gauge may show "New Vehicle Detected" after the battery has been recharged/replaced. Leave the key in the ON position to allow system reconfirmation.

DISABLE P.A.S.S.

1. Press and hold the MODE button to enter the "OPTIONS" menu.
2. Use the UP/DOWN toggle buttons to cycle through options until "REQUIRE PIN TO START" appears. Press the MODE button to select.
3. Enter current passcode.
4. Use the UP/DOWN toggle buttons to change the flashing "ON" at bottom of screen to "OFF".
5. Press the MODE button to re-enter the "OPTIONS" menu. P.A.S.S. is now disabled.

You can exit the "OPTIONS" menu three different ways.

- Toggle to "EXIT" and press the MODE button.
- Hold the MODE button for a few seconds.
- Do nothing, allowing the system to automatically revert back to the main screen.

OPERATION

IMPORTANT INFORMATION

 **WARNING**

Failure to operate the vehicle properly can result in a collision, loss of control, accident or rollover, which may result in serious injury or death. Read and understand all safety warnings outlined in the safety section of this owner's manual.

QUADRICYCLE BREAK-IN

ENGINE AND DRIVETRAIN BREAK-IN

The break-in period for your new QUADRICYCLE is the first 25 hours of operation, or the time it takes to use the first two full tanks of gasoline. No single action on your part is as important as a proper break-in period. Careful treatment of a new engine will result in more efficient performance and longer life for the engine. Perform the following procedures carefully.

 **NOTICE**

Excessive heat build-up during the first 3 hours of operation will damage close-fitted engine parts and drive components. Do not operate at full throttle or high speeds during the first 3 hours of use.

1. Fill the fuel tank with the recommended, clean, fresh fuel. See the Refueling section for details. Always exercise extreme caution whenever handling fuel.
2. Check the oil level. Add the recommended oil as needed to maintain the oil level in the normal (safe) operating range.
3. Drive slowly at first. Select an open area that allows room to familiarize yourself with the QUADRICYCLE operation and handling.
4. Vary throttle positions. Do not operate at a sustained idle.
5. Perform regular checks on fluid levels, controls and areas outlined on the daily pre-ride inspection checklist.
6. During the break-in period, change both the oil and filter at 25 hours.
7. Check fluid levels of transmission and all gearcases after the first 25 hours of operation and every 200 hours thereafter.
8. Pull only light loads.

OPERATION

BRAKE BURNISHING

It is recommended that a burnishing procedure be performed on new QUADRICYCLES or after installation of new brake pads or rotors. This helps to conform the pads to the rotor surface and achieve optimum braking performance.

Test drive the machine and gradually accelerate to more than 30 km/h. Apply light to moderate pressure to the brake pedal to slow the QUADRICYCLE to roughly 8 km/h. Repeat this process 10–30 times, allowing 30 seconds between brake applications for the system to cool down.

IMPORTANT

Do not stop aggressively and do not slow to a complete stop during the burnishing process. After brake burnishing is complete, drive the vehicle to cool the brake pads and rotors.

NOTICE

The burnishing process may cause there to be brake dust on the wheels and calipers. This is normal. When the system has cooled, use a rag and soapy water (no harsh chemicals) to clean off the dust.

PVT BREAK-IN (CLUTCHES / BELT)

Always break in clutches and drive belt or new QUADRICYCLES, as well as after belt replacement. A proper break-in of the clutches and drive belt will ensure a longer life and better performance. Break in the clutches and belt by operating at slower speeds during the break-in period as recommended. Pull only light loads. Avoid aggressive acceleration and high speed operation during the break-in period. If a belt fails, always clean any debris from the duct and from the PVT intake, outlet duct, and the clutch/ engine compartments when replacing the belt.

STANDARD BREAK-IN

Drive at slower speeds for the first 80 km of operation. Carry only light loads. Avoid aggressive acceleration, high-speed operation and prolonged operation at a specific RPM during this period.

SAND / DUNE BREAK-IN

Drive in low gear for the first 8 km of operation. Avoid prolonged low speed operation at high throttle. Avoid aggressive acceleration, high-speed operation and prolonged operation at a specific RPM during this period.

BELT LIFE

To extend belt life, use low gear in the following conditions:

- When hauling or towing heavy cargo
- When consistently operating at speeds less than 56 km/h in hard-pulling terrain, such as mud, rocks or sand/dune environments.

OPERATING GUIDELINES

BOARDING AND EXITING THE QUADRICYCLE

- Never try to climb onto or exit the QUADRICYCLE while it is moving.
- Do not exit the QUADRICYCLE by jumping off.
- Always face the QUADRICYCLE when boarding or exiting.
- Do not grab controls as hand supports. This may cause inadvertent machine movements.
- Always keep QUADRICYCLE steps and flooring clean to prevent slippery conditions.

STARTING THE ENGINE

NOTICE

Operating the vehicle immediately after starting could cause engine damage. Allow the engine to warm up for several minutes before operating the vehicle.

1. Position the QUADRICYCLE on a level surface outdoors or in a well-ventilated area.
2. Sit in the driver's seat and fasten the seat belt. Always make sure all cab doors are closed and latched when riding in this QUADRICYCLE.
3. Place the transmission in PARK.
4. Apply the brakes. Do not press the throttle pedal while starting the engine.
5. Turn the ignition key past the ON/RUN position and release immediately to START. The engine will turn over for a maximum five seconds until the QUADRICYCLE has started.
6. If the engine does not start within five seconds, return the ignition switch to the OFF position and wait five seconds. Repeat steps 5 and 6 until the engine starts.
7. After starting the engine, wait 10 seconds before applying throttle.
8. Vary the engine RPM slightly with the throttle to aid in warm up until the engine idles smoothly.

OPERATION

BRAKING

1. Release the throttle pedal completely.

TIP

When the throttle pedal is released completely and engine speed slows to near idle, the vehicle has no engine braking.

2. Press on the brake pedal evenly and firmly.

NOTICE

If the throttle pedal and brake pedal are applied simultaneously, engine power may be limited.

3. Practice starting and stopping (using the brakes) until you're familiar with the controls.

DRIVING IN REVERSE

WARNING

Before shifting into reverse, use extra care to make sure the area is clear of people or obstacles. When it's safe to proceed, back slowly.

Follow these precautions when operating in reverse:

1. Always check for obstacles or people behind the QUADRICYCLE. Always inspect left and right fields of vision before backing.
2. Avoid backing downhill.
3. Apply the throttle *lightly*. Never open the throttle suddenly.
4. Back slowly.
5. Apply the brakes *lightly* for stopping.
6. Avoid turning at sharp angles.

STOPPING THE ENGINE AND PARKING THE QUADRICYCLE

 **WARNING**

When leaving the vehicle on an incline is unavoidable, use extra care. Vehicle rollaway can cause serious injury or death. This vehicle can roll whenever the gear selector is not in the PARK (P) position. Always shift to PARK (P) when stopping the engine or leaving the vehicle. If leaving the vehicle unattended, block the rear wheels on the downhill side and keep children, pets, and others away from the gear selector.

To park the QUADRICYCLE:

1. Stop the QUADRICYCLE on a level surface.
2. When parking inside a garage or other structure, be sure that the structure is well ventilated and that the QUADRICYCLE is not close to any source of flame or sparks, including any appliance with a pilot light.
3. Place the transmission in PARK. Engage the PARKING BRAKE (if equipped).
4. Turn off the engine.
5. Slowly release the brake pedal and make sure the transmission is in PARK before exiting the QUADRICYCLE.
6. Remove the ignition key to prevent unauthorized use.

OPERATION

DUMPING THE CARGO BOX

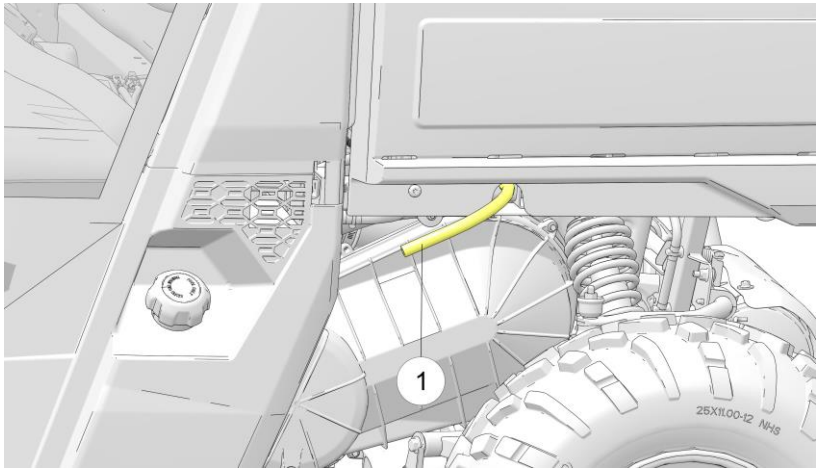
To dump the cargo box, do the following:

1. Select a level site to dump the cargo box. Do not attempt to dump or unload the QUADRICYCLE while parked on an incline.
2. Apply the brakes. Place the transmission in PARK.
3. Engage the PARKING BRAKE (if equipped).
4. Ensure that the cargo is positioned evenly or toward the front of the cargo box.
5. Release the tailgate by pulling up on the tailgate latch.

 **WARNING**

If the weight distribution on the box is located toward the rear of the box when the release lever is pulled forward, the box may dump unexpectedly and cause serious injury to the operator or bystanders. Never operate the Release Lever dump lever without ensuring that the load is positioned evenly or at the front of the box.

6. Stand clear and pull up on the cargo box release lever **①**. Lift the front of the cargo box to dump the cargo.



7. Lower the cargo box and push down securely to latch.



WARNING

Operating the vehicle while the cargo box is raised could result in severe injury. The box could close unexpectedly and cause injury to the driver or passenger. The rear tires could also catch the rear of a raised box, damaging the vehicle and creating hazardous driving conditions. Never operate this vehicle with the cargo box in the raised position.

HAULING CARGO

WARNING

Hauling cargo improperly can alter QUADRICYCLE handling and may cause loss of control or brake instability, which can result in serious injury or death. Always follow these precautions when hauling cargo:

Never exceed the maximum weight capacity of the QUADRICYCLE. When determining the weight you are adding to the QUADRICYCLE, include the weight of the operator, passengers, non-factory installed accessories, loads in the rack or box and the load on the trailer tongue. The combined weight of these items must not exceed the maximum weight capacity.

REDUCE SPEED AND ALLOW GREATER DISTANCES FOR BRAKING WHEN HAULING CARGO.

Always load the cargo box with the load as far forward and as low as possible. When operating over rough or hilly terrain, reduce speed and cargo to maintain stable driving conditions.

Always operate the QUADRICYCLE with extreme care when hauling or towing loads. Slow down and drive in the lowest gear available. Always use **LOW** gear when towing or hauling heavy loads.

SECURE ALL LOADS BEFORE OPERATING. Unsecured loads can create unstable operating conditions, which could result in loss of control of the QUADRICYCLE.

OPERATE ONLY WITH STABLE AND SAFELY ARRANGED LOADS. When handling off-centered loads that cannot be centered, securely fasten the load and operate with extra caution. Always attach the tow load to the hitch point designated for your QUADRICYCLE.

HEAVY LOADS CAN CAUSE BRAKING AND CONTROL PROBLEMS. Use extreme caution when applying brakes with a loaded QUADRICYCLE. Avoid terrain or situations that may require backing downhill.

USE EXTREME CAUTION when operating with loads that extend over the rack sides. Stability and maneuverability may be adversely affected, causing a rollover.

DO NOT TRAVEL FASTER THAN THE RECOMMENDED SPEEDS. QUADRICYCLE should never exceed 16 km/h while towing a load on a level grass surface. QUADRICYCLE speed should never exceed 8 km/h when towing loads in rough terrain, while cornering, or while ascending or descending a hill.

LOAD CAPACITY

Your QUADRICYCLE has been designed to carry or tow specific capacities. Always read and understand the load distribution warnings listed on the warning labels. The total load (operator, passengers, non-factory installed accessories, cargo and weight on hitch) must not exceed the maximum weight capacity of the QUADRICYCLE. Never exceed the following capacities:

MODEL	MAXIMUM CAPACITIES (LEVEL GROUND)	CARGO BOX
<i>RANGER 570</i>	250 kg	200kg

 **WARNING**

Driving with passengers in the cargo box can result in severe injury or death. Never allow passengers to ride in the cargo box. Passengers must always ride in the cab with seat belts fastened securely.

EMISSION CONTROL SYSTEMS

NOISE EMISSION CONTROL SYSTEM

Do not modify the engine, intake or exhaust components, as doing so may affect compliance with governmental noise level requirements.

SPARK ARRESTER

Your EGIMOTORSQUADRICYCLE has a spark arrester that was designed for on-road and off-road operation. It is required that this spark arrester remain installed and functional when the QUADRICYCLE is operated.

EXHAUST EMISSION CONTROL SYSTEM

Exhaust emissions are controlled by engine design. An electronic fuel injection (EFI) system controls fuel delivery. The engine and EFI components are set at the factory for optimal performance and are not adjustable.

The emissions label is located on the inside of the lower left frame tube (below driver's foot area).

ELECTROMAGNETIC INTERFERENCE

This QUADRICYCLE complies with the EMC requirements of UN ECE Regulation 10.

Non-ionizing Radiation: This QUADRICYCLE emits some electromagnetic energy. People with active or non-active implantable medical devices (such as heart monitoring or controlling devices) should review the limitations of their device and the applicable electromagnetic standards and directives that apply to this QUADRICYCLE.

MAINTENANCE

PERIODIC MAINTENANCE SCHEDULE

Any qualified repair shop or person may maintain, replace, or repair the emission control devices or systems on your QUADRICYCLE. An authorized EGIMOTORS dealer can perform any service that may be necessary for your QUADRICYCLE.

EGIMOTORS also recommends EGIMOTORS parts for emissions-related service, however equivalent parts can be used.

It is a potential violation of the EU law if a part supplied by an aftermarket parts manufacturer reduces the effectiveness of the QUADRICYCLE's emission controls.

Tampering with emission controls is prohibited by law. Owners are responsible for performing the scheduled maintenance identified in this owner's manual.

Careful periodic maintenance will help keep your QUADRICYCLE in the safest, most reliable condition. Inspection, adjustment and lubrication of important components are explained in the periodic maintenance chart.

Inspect, clean, lubricate, adjust and replace parts as necessary. When inspection reveals the need for replacement parts, use genuine EGIMOTORS parts available from your EGIMOTORS dealer.

Record maintenance and service in the Maintenance Log in the back of the book.

TIP

Service and adjustments are important for proper vehicle operation. If you're not familiar with safe service and adjustment procedures, have a qualified dealer perform these operations.

QUADRICYCLES subjected to heavy or severe use patterns must be inspected and serviced more frequently.

SEVERE USE DEFINITION

- Frequent immersion in mud, water or sand
- Frequent or prolonged operation in dusty environments
- Short trip cold weather operation
- Racing or race-style high RPM use
- Prolonged low speed, heavy load operation
- Extended idle

Pay special attention to the oil level. A rise in oil level during cold weather can indicate contaminants collecting in the oil sump or crankcase. Change oil immediately if the oil level begins to rise. Monitor the oil level, and if it continues to rise, discontinue use and determine the cause. Your dealer can assist.

MAINTENANCE

EGIMOTORS MAINTENANCE SCHEDULE

The intervals shown are based on QUADRICYCLES operated under normal conditions.

Each interval is given in hours and kilometers. Items should be serviced at whichever interval comes first.

Continue to reference the following maintenance schedules at the given intervals as hours and kilometers) increase on the QUADRICYCLE.

QUADRICYCLES subjected to severe use must be serviced at 50% of the stated interval. Examples of Severe Use: Frequent immersion in mud, water, or sand, constant high RPM use, prolonged low-speed heavy load operation, extended idle, and short trip cold weather operation.

INITIAL BREAK-IN SERVICE FIRST 25 HOURS / 400KM

Battery	Check terminals; terminals should be tight and free of corrosion. Clean, test, and replace as necessary.
Engine Oil and Filter	Change the engine oil and filter.
Front Gearcase Fluid	Change fluid.
Transmission Fluid	Initial fluid level inspection; inspect for fluid leaks; add lubricant if needed.
The break-in period consists of the first 25 hours of operation. Careful treatment of a new engine and drive components will result in more efficient performance and longer life for these components. The items outlined in this service interval only need to be performed at the first 25 hours of operation. They do not need to be performed every 25 hours.	

QUADRICYCLES subjected to severe use must be serviced at 50% of the stated interval. Examples of Severe Use: Frequent immersion in mud, water, or sand, constant high RPM use, prolonged low-speed heavy load operation, extended idle, and short trip cold weather operation.

EVERY 100 HOURS / 1600 KM OR YEARLY

Air Filter	Replace air filter. Ensure proper installation of filter and airbox cover. Inspect ducts and screens; clean as necessary.
Battery	Check terminals; terminals should be tight and free of corrosion. Clean, test, and replace as necessary.
Drive Belt	Inspect; clean; replace as needed.
* Have an authorized EGIMOTORS dealer or other qualified person perform these services.	

MAINTENANCE

QUADRICYCLEs subjected to severe use must be serviced at 50% of the stated interval. Examples of Severe Use: Frequent immersion in mud, water, or sand, constant high RPM use, prolonged low-speed heavy load operation, extended idle, and short trip cold weather operation.

EVERY 200 HOURS / 3200 KM OR YEARLY

Air Filter	Replace air filter. Ensure proper installation of filter and airbox cover. Inspect ducts and screens; clean as necessary.
Battery	Check terminals; terminals should be tight and free of corrosion. Clean, test, and replace as necessary.
Brake System	Inspect fluid level; inspect for fluid leaks; add recommended brake fluid from a sealed container if needed. Inspect brake pad wear.
Cooling System	Inspect fluid level; inspect for fluid leaks; add coolant if needed. Inspect coolant strength seasonally; pressure test system yearly.
Drive Belt	Inspect; clean; replace as needed.
Engine Oil and Filter	Change the engine oil and filter.
Fuel System*	Cycle key to pressurize fuel pump; check for leaks at fuel system connections, check for leaks at fill cap. Check for signs of wear on fuel lines.
Front Gearcase Fluid	Change fluid.
General Lubrication	Locate all applicable fittings and grease.
Radiator	Clean radiator of debris, straighten any damaged fins. Inspect for damage to radiator.
Shift Cable / Linkage	Inspect cable; adjust linkage as required if shifting is poor.
Shocks	Inspect seals and bushings; replace as needed.
Spark Plug	Replace as needed.
Steering Components	Inspect tie rods, steering rack, steering boots, and other steering components for tightness and damage.

EVERY 200 HOURS / 3200 KM OR YEARLY

Suspension Components*	Inspect tie rods, wheel bearings, suspension bushings, and ball joints for loose or worn components; replace as needed. Inspect shock absorbers for leaks or damage.
Throttle Body / Air Intake Ducts / Flanges	Inspect duct for proper sealing / air leaks.
Tires	Inspect for tire damage / dry-rot in tires. Verify there is adequate tread depth.
Transmission Fluid	Change fluid.
Valve Clearance*	Inspect; adjust as needed.
Wiring	Inspect for wear, routing, and retention.
* Have an authorized EGIMOTORS dealer or other qualified person perform these services.	

MAINTENANCE

QUADRICYCLES subjected to severe use must be serviced at 50% of the stated interval. Examples of Severe Use: Frequent immersion in mud, water, or sand, constant high RPM use, prolonged low-speed heavy load operation, extended idle, and short trip cold weather operation.

ADDITIONAL MAINTENANCE INTERVALS

Every 400 hours / 6400 km	Clutches*	Inspect bushings, rollers, wearable parts; clean; replace worn parts.
	Spark Arrestor	Clean out. Inspect after every ride where submerged in mud.
Every 24 months / 2 years	Brake Fluid	Change fluid.
Every 60 months / 5 years	Coolant	Change fluid.
* Have an authorized EGIMOTORS dealer or other qualified person perform these services.		

QUADRICYCLES subjected to severe use must be serviced at 50% of the stated interval. Examples of Severe Use: Frequent immersion in mud, water, or sand, constant high RPM use, prolonged low-speed heavy load operation, extended idle, and short trip cold weather operation.

ELEVATING THE QUADRICYCLE FOR SERVICE

Some service procedures require that the QUADRICYCLE be elevated. Before proceeding, remember to:

- Always position the QUADRICYCLE on a firm, level surface before elevating.
- Only use an appropriate sized lift or jack.
- Refrain from positioning a jack or jack stand under any components other than the QUADRICYCLE frame.
- Refrain from allowing the QUADRICYCLE to remain elevated on a floor jack for an extended period of time.

PLACING ONTO JACK STANDS

1. Place the floor jack directly beneath the center of the QUADRICYCLE (either front or rear).
2. This QUADRICYCLE is not equipped with dedicated jacking points. Make sure that the floor jack only makes contact with the QUADRICYCLE *frame* only while lifting.
3. After QUADRICYCLE is elevated to desired height, place jack stands under the QUADRICYCLE *frame* on both sides of the floor jack, then lower the QUADRICYCLE until the jack stands come into contact with the QUADRICYCLE *frame*.

LUBRICATION RECOMMENDATIONS

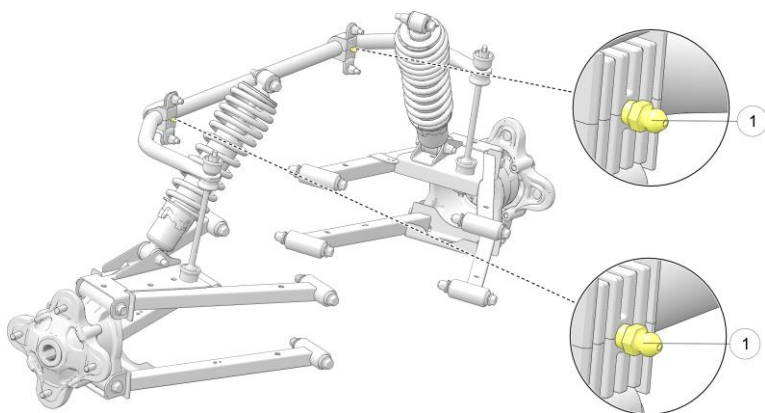
Check and lubricate all components at the intervals outlined in the EGIMOTORS Maintenance Schedule or more often under severe use, such as wet or dusty conditions. Items not listed in the chart should be lubricated at the general lubrication interval.

ITEM	LUBE	METHOD
Engine Oil	PS-4 5W-50 4-Cycle Oil	Add to proper level on dipstick. See engine oil chapter for details.
Brake Fluid	DOT 4 Brake Fluid	Maintain level between fill lines. See brake fluid chapter for details.
Transmission Oil (Main Gearcase)	AGL Gearcase Lubricant & Transmission Fluid	See transmission oil chapter for details.
Front Gearcase Oil	Demand Drive Fluid	See front gearcase oil chapter for details.
Front Prop Shaft Yoke	U-Joint Grease	Locate fittings and grease.

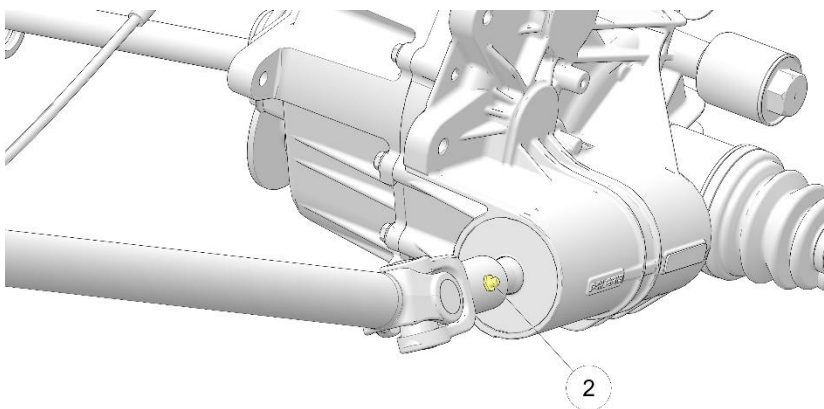
MAINTENANCE

GREASING POINTS

Greasing Points ①



Driveshaft Grease Point ②



ENGINE OIL

Always check and change the oil at the intervals outlined in the Periodic Maintenance Chart section. Always use the recommended engine oil.

NOTICE

Allowing dirt or debris to enter the engine can result in serious engine damage. Always clean away all dirt and debris from the dipstick area before removing the dipstick.

OIL CHECK

The oil dipstick ① is located on the engine. Access the dipstick through the right rear wheel well.

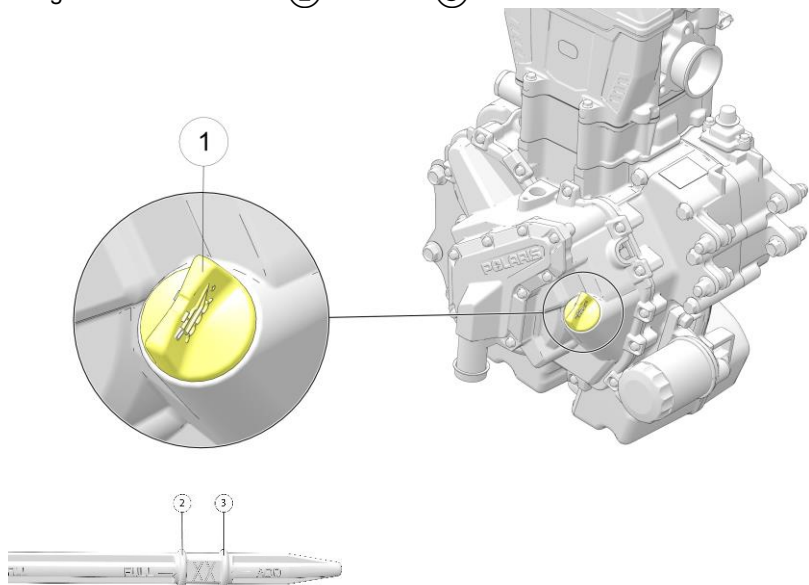
NOTICE

Oil level should be checked when the engine is cold.

1. Position the QUADRICYCLE on a level surface.
2. Place the transmission in PARK.
3. Always clean away all dirt and debris from the dipstick area before removing the dipstick. Remove the dipstick. Wipe it dry with a clean cloth.
4. Reinstall and tighten the dipstick.
5. Remove the dipstick and check the oil level.

MAINTENANCE

6. Add the recommended fluid as needed. Maintain the oil level in the safe range between the FULL (2) and ADD (3) marks. Do not overfill.

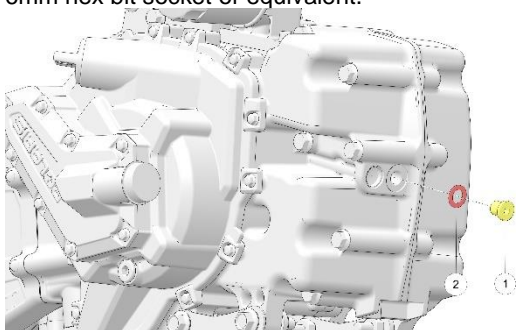


7. Reinstall and tighten the dipstick.

OIL AND FILTER CHANGE

Always check and change the oil at the intervals outlined in the EGIMOTORS Maintenance Schedule section. Always change the oil filter whenever changing oil.

The engine drain plug ① is located on the bottom of the crankcase. Use a 6mm hex bit socket or equivalent.



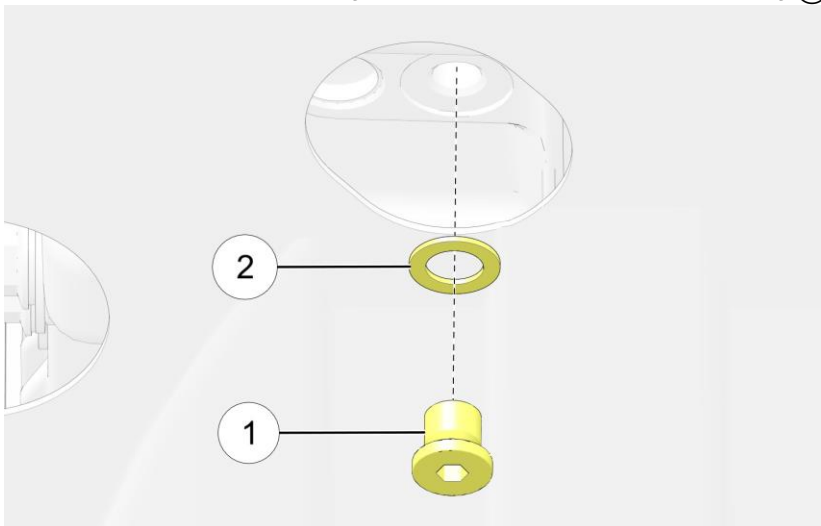
1. Position the QUADRICYCLE on a level surface. Place the transmission in PARK. Apply the brakes.
2. Start the engine. Allow it to idle for two to three minutes. Stop the engine.
3. Clean the area around the drain plug.

CAUTION

Hot oil can cause burns to skin. Do not allow hot oil to contact skin.

MAINTENANCE

4. Place a drain pan beneath engine crankcase and remove the drain plug ①.



5. Allow the oil to drain completely.
6. Install a new sealing washer ② on the drain plug.

TIP

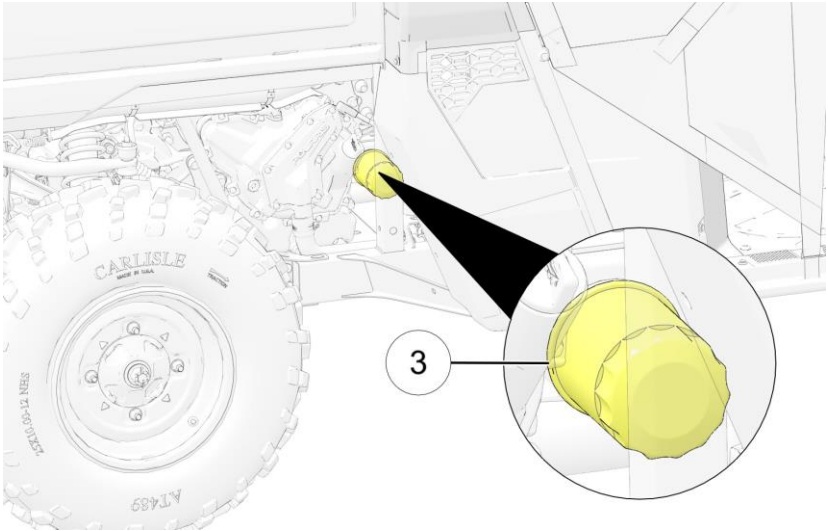
The sealing surfaces on drain plug and crankcase should be clean and free of burrs, nicks or scratches.

7. Reinstall the drain plug.

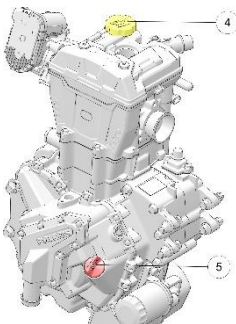
TORQUE

16 Nm

8. Using a cap-style oil filter wrench or equivalent, turn the filter ③ counter-clockwise to remove it.



9. Using a clean dry cloth, clean the filter sealing surface on the crankcase. Make sure the old filter o-ring is completely removed.
10. Lubricate the o-ring on the new filter with a film of fresh engine oil. Check to make sure the o-ring is in good condition.
11. Install the new filter and turn by hand until the filter gasket contacts the sealing surface, then turn an additional 3/4 turn.
12. Always clean away all dirt and debris from the dipstick area before removing the dipstick.



13. Remove the dipstick ⑤ and check the oil level.

MAINTENANCE

14. Open the upper oil cap (4) and add the recommended fluid as needed. Maintain the oil level in the safe range between the FULL (2) and ADD (3) marks. Do not overfill.



FLUID CAPACITY

Recommended Lubricant:

Polaris PS-4 5W-50 Full Synthetic 4-Cycle Engine Oil

Capacity:

1.9 L

15. Reinstall and tighten the dipstick. Reinstall upper oil cap.
16. Make sure the transmission is in PARK. Apply the brakes.
17. Start the engine. Allow it to idle for one to two minutes.
18. Stop the engine. Inspect for leaks.
19. Re-check the oil level on the dipstick and add oil as necessary to bring the level to the upper mark on the dipstick.
20. Dispose of used filter and oil properly.

GEARCASES

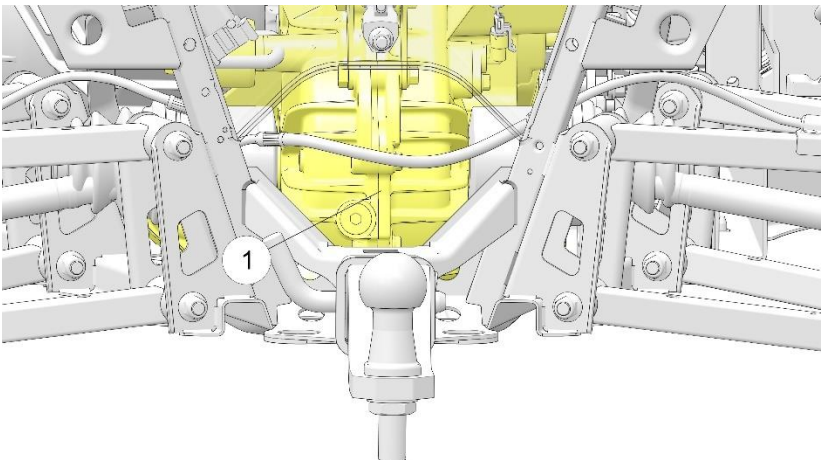
GEARCASE SPECIFICATION CHART

GEARCASE	LUBRICANT	CAPACITY	FILL PLUG TORQUE	DRAIN PLUG/ LEVEL CHECK PLUG TORQUE
Main Gearcase (Transmission)	AGL Gearcase Lubricant & Transmission Fluid	1200 ml	19 Nm	19 Nm
Front Gearcase	Demand Drive Fluid	200 ml	16 Nm	16 Nm

TRANSMISSION (MAIN GEARCASE)

Always check and change the transmission oil at the intervals outlined in the EGIMOTORS Maintenance Schedule beginning on page. Maintain the oil level even with the bottom thread of the fill plug hole.

Refer to the Gearcase Specifications Chart for recommended lubricants, capacities and torque specifications. See chapter EGIMOTORS products for the part numbers.

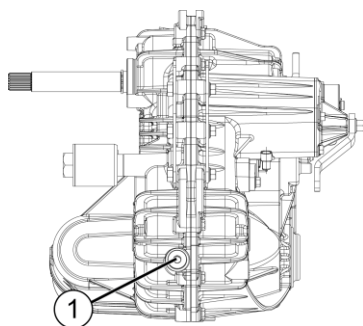


MAINTENANCE

FLUID CHECK

The fill plug is located on the rear of the gearcase. Maintain the fluid level at the bottom of the fill plug hole.

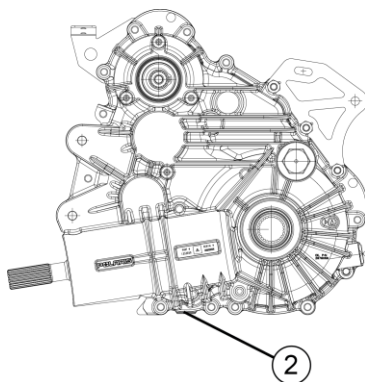
1. Position the QUADRICYCLE on a level surface.
2. Remove the fill plug (1).
3. Check the fluid level.
4. Add the recommended fluid to the bottom of the fill plug hole. Do not overfill.
5. Reinstall the fill plug. Torque to specification.



FLUID CHANGE

The drain plug is located on the bottom of the gearcase. Access the drain plug through the hole in the skid plate.

1. Remove the fill plug.
2. Place a drain pan under the drain plug (2).



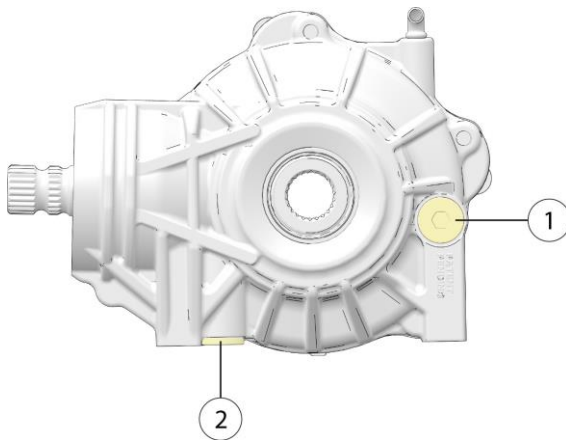
3. Remove the drain plug. Allow the fluid to drain completely.
4. Clean and reinstall the drain plug. Torque to specification.
5. Add the recommended fluid to the bottom of the fill plug hole. Do not overfill.

6. Reinstall the fill plug. Torque to specification.
7. Check for leaks. Discard used fluid properly.

FRONT GEARCASE (DEMAND DRIVE)

Always check and change the front gearcase oil at the intervals outlined in the EGIMOTORS Maintenance Schedule beginning on page. Maintain the oil level even with the bottom thread of the fill plug hole.

Refer to the Gearcase Specifications Chart for recommended lubricants, capacities and torque specifications. See page EGIMOTORS products for the part numbers.



OIL CHECK

The front gearcase fill plug (1) is located on the right side of the front gearcase.

1. Position the QUADRICYCLE on a level surface.
2. Remove the fill plug. Check the oil level.
3. Add the recommended oil as needed.
4. Reinstall the fill plug. Torque to specification.

MAINTENANCE

OIL CHANGE

1. Support the QUADRICYCLE securely with a jackstand.
2. Remove the front tire on the driver's side.
3. Remove the fill plug.
4. Place a drain pan under the drain plug ② on the bottom right-hand side.
5. Remove the drain plug. Drain the oil.
6. Clean and reinstall the drain plug. Torque to specification.
7. Add the recommended fluid to the bottom of the fill plug hole. Do not overfill.
8. Reinstall the fill plug. Torque to specification.
9. Check for leaks.
10. Discard used oil properly.

SPARK PLUGS

SPARK PLUG RECOMMENDATIONS

Refer to the Specifications section for the recommended spark plug type for your QUADRICYCLE. Always torque spark plugs to specification.

NOTICE

Using non-recommended spark plugs can result in serious engine damage.
Always use EGIMOTORS recommended spark plugs or their equivalent.

SPARK PLUG GAP/TORQUE

SPARK PLUG MODEL	ELECTRODE GAP	NEW OR USED PLUG TORQUE
NGK® MR7F	0.7 – 0.8 mm	12 Nm

NOTICE

When installing spark plugs into the engine, do not use anti-seize.

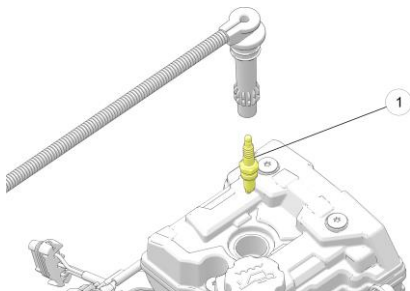
SPARK PLUG INSPECTION

Spark plug condition is indicative of engine operation. The spark plug firing end condition should be read after the engine is warmed up and the QUADRICYCLE is driven at higher speeds. Immediately check the spark plug for correct color.

CAUTION

A hot exhaust system and engine can cause burns. Wear protective gloves when removing a spark plug for inspection.

To inspect the spark plug ①, do the following:



1. Lift the cargo box to access the spark plug.
2. Remove the spark plug cap. Using the spark plug wrench provided in the tool kit, remove the plug by rotating it counter-clockwise.
3. Reverse the procedure for spark plug installation.
4. Torque to specification.

NOTICE

When reinstalling the spark plug boot onto the spark plug, be sure to place a small amount of dielectric grease in the spark plug boot.

MAINTENANCE

NORMAL PLUG

The normal insulator tip is gray, tan or light brown. There will be few combustion deposits. The electrodes are not burned or eroded. This indicates the proper type and heat range for the engine and the service.

The tip should not be white. A white insulator tip indicates overheating, caused by use of an improper spark plug or incorrect throttle body adjustments.

WET FOULED PLUG

The wet fouled insulator tip is black. A damp oil film covers the firing end. There may be a carbon layer over the entire nose. Generally, the electrodes are not worn. General causes of fouling are excessive oil consumption, use of non-recommended oil, or poor fuel quality.

COOLING SYSTEM

The engine coolant level is controlled or maintained by the recovery system. The recovery system components are the overflow bottle, radiator filler neck, radiator pressure cap and connecting hose.

As coolant operating temperature increases, the expanding (heated) excess coolant is forced out of the radiator, past the pressure cap, and into the overflow bottle. As engine coolant temperature decreases, the contracting (cooled) coolant is drawn back up from the tank, past the pressure cap, and into the radiator.

Some coolant level drop on new QUADRICYCLES is normal as the system is purging itself of trapped air. Observe coolant levels and maintain as recommended by adding coolant to the overflow bottle.

ADDING OR CHANGING COOLANT

EGIMOTORS recommends the use of EGIMOTORS Antifreeze 50/50 Premix. This antifreeze is already premixed and ready to use. Do not dilute with water.

To ensure that the coolant maintains its ability to protect the engine, we recommend that the system be completely drained every five (5) years and fresh Antifreeze 50/50 Premix added.

Any time the cooling system has been drained for maintenance or repair, replace the coolant with fresh Antifreeze 50/50 Premix. If the recovery bottle has run dry, the level in the radiator should be inspected. Add coolant as needed.

RADIATOR AND COOLING FAN

Always check and clean the screen and radiator fins at the intervals outlined in the Periodic Maintenance Chart. Do not obstruct or deflect air flow through the radiator by installing unauthorized accessories in front of the radiator or behind the cooling fan. Interference with the radiator air flow can lead to overheating and consequent engine damage.

NOTICE

Washing the vehicle with a high-pressure hose could damage the radiator fins and impair the radiator's effectiveness. Using a high-pressure system is not recommended.

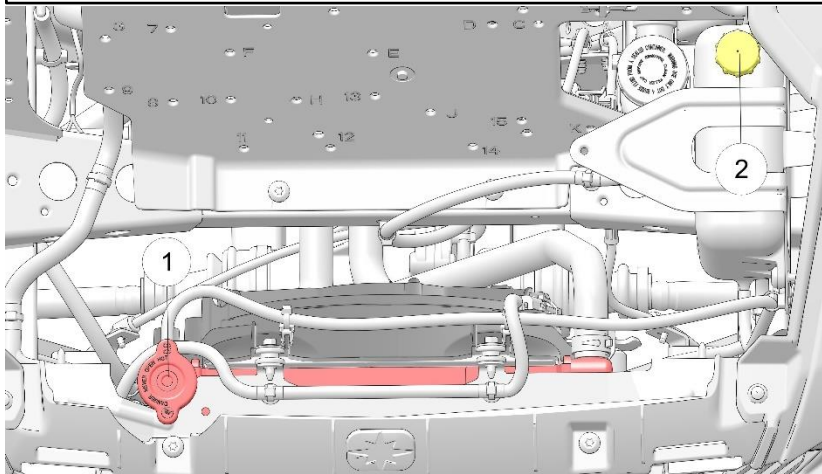
RADIATOR COOLANT LEVEL

Always check and clean the screen and radiator fins at the intervals outlined in the EGIMOTORS Maintenance Schedule. Do not obstruct or deflect air flow through the radiator by installing unauthorized accessories in front of the radiator or behind the cooling fan. Interference with the radiator air flow can lead to overheating and consequentially, engine damage.

1. Remove the hood.

CAUTION

Escaping steam can cause burns. Never remove the pressure cap while the engine is warm or hot. Always allow the engine to cool before removing the pressure cap.



2. Slowly remove the radiator cap ①.

MAINTENANCE

3. View the coolant level through the opening.
4. Use a funnel and slowly add coolant as needed.

TIP

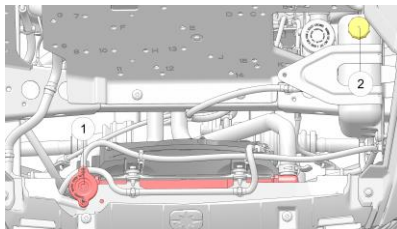
This procedure is required only if the cooling system has been drained for maintenance and/or repair. But if the overflow bottle w has run dry, the level in the radiator should also be inspected.

5. Reinstall the pressure cap. Use of a non-standard pressure cap will not allow the recovery system to function properly. Your EGIMOTORS dealer can provide the correct replacement part.

OVERFLOW BOTTLE COOLANT LEVEL

Always check and change the coolant at the intervals outlined in the EGIMOTORS Maintenance Schedule. Maintain the coolant level between the minimum and maximum marks on the bottle (when the fluid is cool).

1. Position the QUADRICYCLE on a level surface.
2. Lift the hood. View the coolant level in the overflow bottle (2).
3. If the coolant level is below the safe operating range, lift the hood and locate the overflow bottle lid. Remove the cap and use a funnel to add coolant through the filler opening. Reinstall the cap.



TIP

If coolant must be added often, or if the overflow bottle runs completely dry, there may be a leak in the system. Your dealer can inspect the cooling system.

EGIMOTORS VARIABLE TRANSMISSION (PVT) SYSTEM

WARNING

Failure to comply with the instructions in this warning can result in severe injury or death. Do not modify any component of the PVT system. Doing so may reduce its strength so that a failure may occur at a high speed. The PVT system has been precision balanced. Any modification will cause the system to be out of balance, creating vibration and additional loads on components. The PVT system rotates at high speeds, creating large amounts of force on clutch components. As the owner, you have the following responsibilities for your own safety and the safety of others:

- Always follow all recommended maintenance procedures. Always look for and remove debris inside and around the clutch and vent system when replacing the belt.
- See your dealer or other qualified service person as outlined in the owner's manual.
- This PVT system is intended for use on EGIMOTORS products only. Do not install it in any other product.
- Always make sure the PVT housing is securely in place during operation.

BELT REMOVAL/DEBRIS REMOVAL

If a belt fails, always clean any debris from the clutch air duct and from the clutch and engine compartments when replacing the belt.

WARNING

Failure to remove ALL debris when replacing the belt could result in vehicle damage, loss of control and severe injury or death.

To replace the belt, do the following:

1. Position the QUADRICYCLE on a level surface. Place the transmission in park.

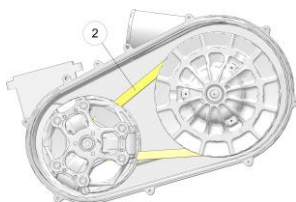
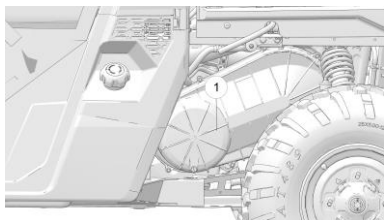
NOTE

For improved access to the PVT cover, the left rear wheel may be removed.

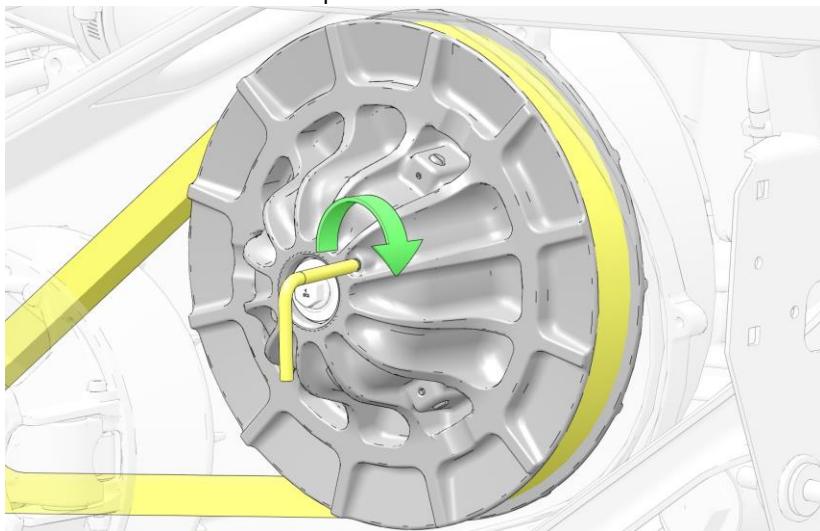
2. Lift the cargo box.

MAINTENANCE

3. Remove the eight (8) fasteners securing the clutch cover (1). Each fastener can be removed using a 8mm socket with ratcheting wrench and extension.



4. Pull the bottom of the cover outward and over the suspension to remove it.
5. Make sure the cover gasket does not fall out of the groove when removing the cover.
6. Mark the drive belt (2) direction of rotation so that it can be installed in the same direction.
7. Insert the clutch spreader tool into the threaded hole on the driven clutch as shown and turn clockwise to spread the clutch.



NOTE

Clutch spreader tool part number 2883577 is found in vehicle tool kit.

8. Walk the belt out of the driven clutch and drive clutch. Remove the belt from the QUADRICYCLE.

9. Remove all debris wrapped in and around the PVT system.
10. Remove all debris from the entire clutch air duct passage.
11. Check for signs of damage to seals on the transmission and engine. If any seals appear to be damaged, your QUADRICYCLE requires prompt service. Your EGIMOTORS dealer can assist.

TIP

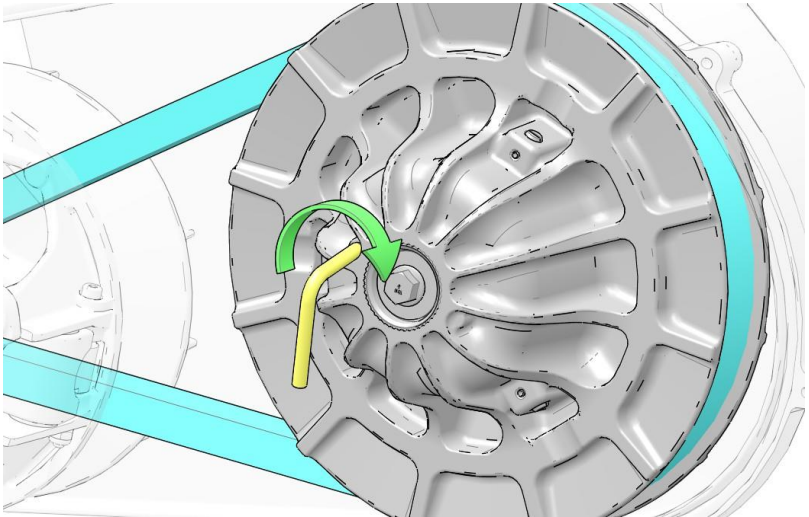
Belt slip is responsible for creating excessive heat that destroys belts, wears clutch components and causes outer clutch covers to fail. Switch to low range while operating at slower speeds to extend the life of the PVT components (belt, cover, etc.).

BELT INSTALLATION

NOTE

Be sure to install belt in the same direction as it was removed.

1. With the clutch spreader tool installed, loop the belt over the drive clutch and over the driven clutch.



2. Rotate the driven clutch and walk the belt into the clutch.
3. Turn the clutch spreader tool counterclockwise to remove from the driven clutch.

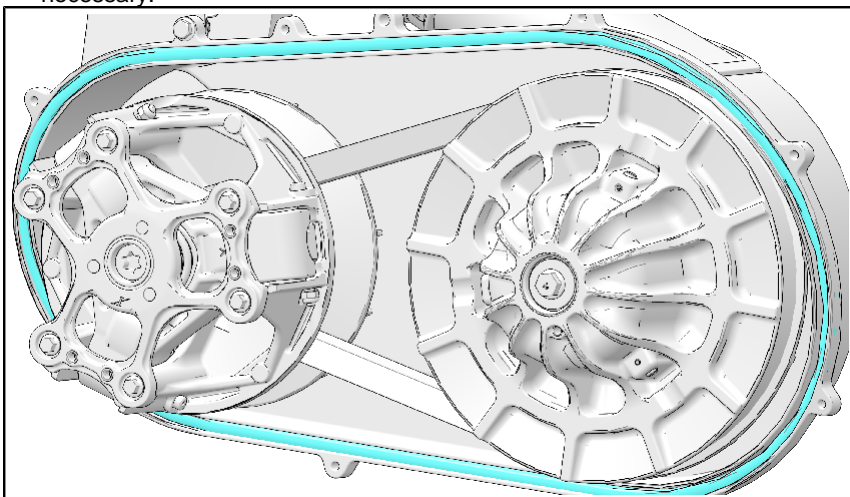
MAINTENANCE

4. Rotate / spin the driven clutch and belt approximately 5-7 times to properly seat the belt in the driven clutch.
5. Remove any debris found in clutch ducting before reassembly.

NOTICE

Use care when installing the clutch cover. Do not damage cover, intake boot, or electrical harness.

6. Make sure the PVT cover seal is fully seated. Inspect for damage, replace if necessary.

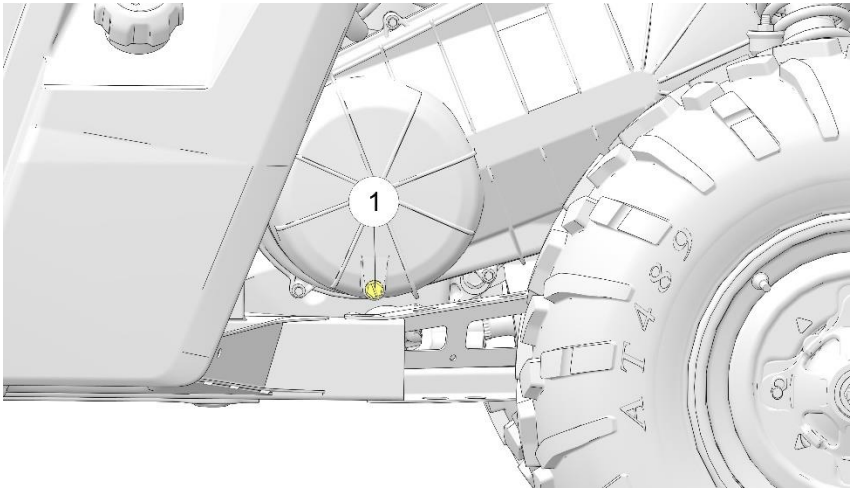


7. Install the clutch cover into wheel well by installing the top half first, then the bottom half over the suspension.
8. Install all clutch cover screws. Torque to specification.

TORQUE

PVT Outer Cover Fasteners: **5 N·m**

EGIMOTORS VARIABLE TRANSMISSION (PVT) SYSTEM DRYING



There may be some instances when water is ingested into the PVT system. Use the following instructions to dry it out before operating:

1. Position the QUADRICYCLE on a level surface.
2. Remove the drain plug ① on the outer clutch cover. Allow the water to drain completely. Reinstall the drain plug.
3. Place the transmission in PARK.
4. Start the engine.
5. Apply varying throttle for 10-15 seconds to expel the moisture and air-dry the belt and clutches. Do not hold the throttle wide open for more than five (5) seconds.
6. Allow the engine RPM to settle to idle speed. Apply the brakes. Shift the transmission to the lowest available range.
7. Test for belt slippage. If the belt slips, repeat the process.
8. Your QUADRICYCLE requires service as soon as possible. Your EGIMOTORS dealer can assist.

QUADRICYCLE IMMERSION

 **WARNING**

If your vehicle becomes immersed, major engine damage can result if the machine is not thoroughly inspected. Take the vehicle in for service before starting the engine. Your EGIMOTORS dealer can provide this service.

If it's impossible to take your QUADRICYCLE to a dealer before starting it, follow the steps outlined below:

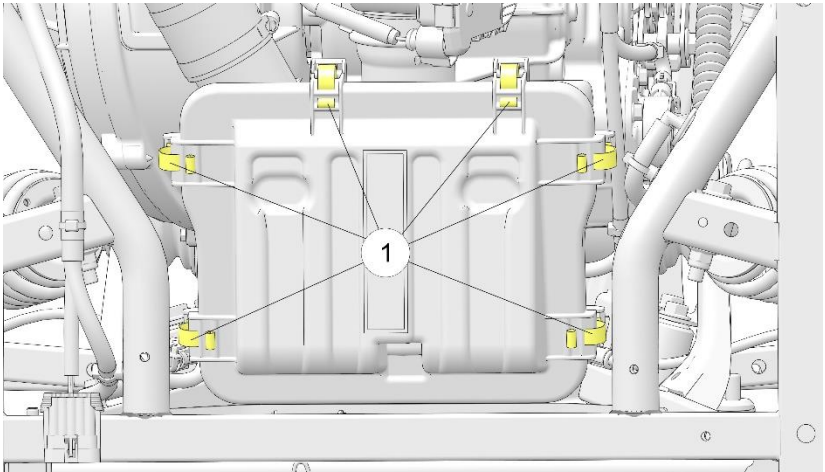
1. Move the QUADRICYCLE to dry land or at the very least, to water below the footrests.
2. Dry any water present in the air box. Filter replacement is required if water is present.
3. Remove the spark plugs. Turn the engine over several times using the electric start.
4. Dry the spark plugs and reinstall, or replace with new plugs.
5. Attempt to start the engine. If necessary, repeat the drying procedure.
6. Take the QUADRICYCLE in for service as soon as possible, whether you succeed in starting it or not. Your EGIMOTORS dealer can provide the required service.
7. If water has been ingested into the PVT follow the procedure for drying.

FILTER SYSTEMS

AIR FILTER

Always change the air filter at the intervals outlined in the EGIMOTORS Maintenance Schedule section. Service the air filter more frequently if the QUADRICYCLE is operated in wet conditions or at high throttle for extended periods.

1. Lift the cargo box.
2. Clean all dirt and debris from the air box area.
3. Unlatch the six (6) cover clips ① and carefully remove the air box cover. Inspect the seal between the cover and air box to ensure the seal is not torn and has been maintaining a proper seal.



4. Inspect the air filter and air box for dirt, debris, oil or water. If the filter needs to be replaced, remove the worm gear clamp from the filter neck with a flat-blade screwdriver or 6mm socket. Slide the filter rearward to remove it from the boot, then lift it straight upward and out of the air box.
5. With the filter removed, clean the intake boot and air box thoroughly and wipe well with a clean, dry cloth.

NOTICE

Dirt or debris in the intake boot could result in severe engine damage. Always clean all dirt and debris from the intake boot before installing the filter.

MAINTENANCE

6. Reinstall the air filter (if clean) or install a new air filter (if soiled). Do not attempt to clean the air filter.

NOTICE

Use of a non-EGIMOTORS-approved air filter may cause engine damage.
Always use a EGIMOTORS-approved replacement filter. See the
EGIMOTORS products chapter for part numbers.

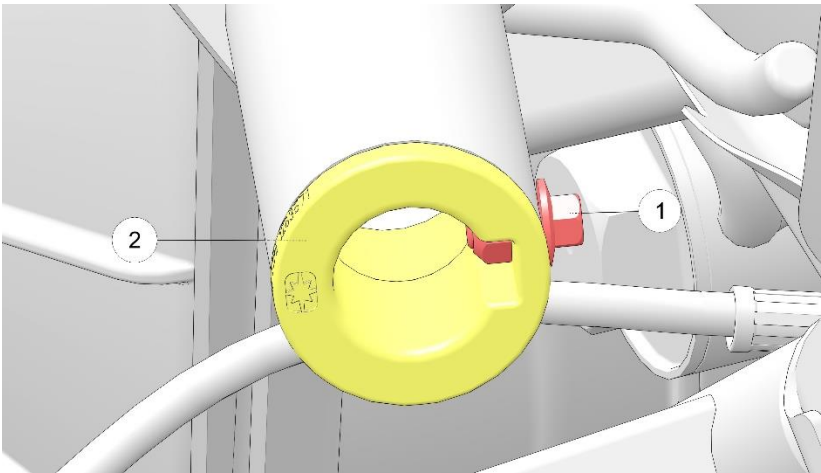
7. Make sure the filter is fully seated on the intake boot and that there is no gap between the filter and boot after installation. Tighten the worm gear clamp to 3 Nm.
8. Reinstall the air box cover. Make sure both hinges are fully inserted. Secure the cover clips.

SPARK ARRESTOR

WARNING

Failure to heed the following warnings while servicing the spark arrester could result in serious injury or death.

- Do not perform service on the spark arrester while the system is hot. Allow components to cool sufficiently before proceeding.
- Wear eye protection and gloves.
- Never operate without the spark arrester.
- Never run the engine in an enclosed area. Exhaust contains poisonous carbon monoxide gas.



To remove accumulated carbon, clean the spark arrester at the intervals recommended in the Periodic Maintenance Chart.

1. Remove the bolt (1) and nut from the spark arrester (2). Remove the spark arrester from the end of the muffler.
2. Use a non-synthetic brush to clean the arrester screen. A synthetic brush may melt if components are warm. If necessary, blow debris from the screen with compressed air.
3. Inspect the screen for wear and damage. Replace the arrester if damage is found.
4. Reinstall the arrester.
5. Torque the bolt and nut to specification.

MAINTENANCE

NOTICE

Spark Arrestor Bolt
13.5 N·m

BRAKES

The front and rear brakes are hydraulic disc type brakes. Press down on the brake pedal to engage the brakes.

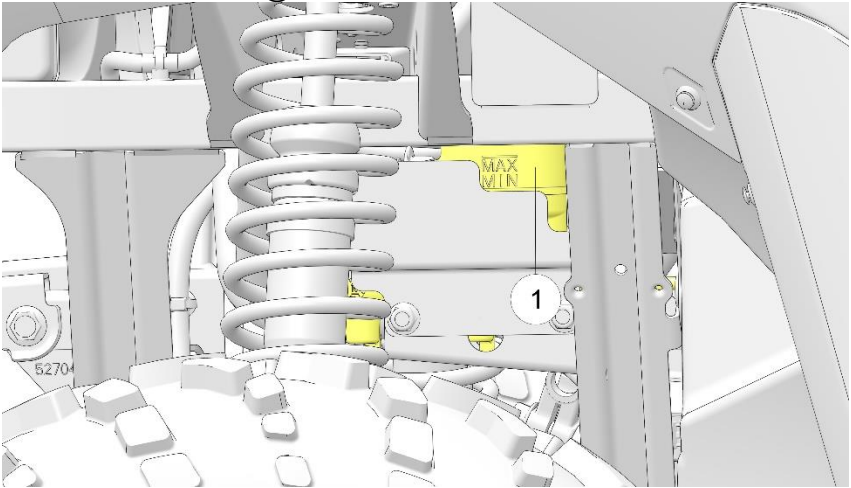
BRAKE FLUID

Inspect the brake system routinely. Inspect the level of the brake fluid before each operation.

WARNING

After opening a bottle of brake fluid, always discard any unused portion. Never store or use a partial bottle. Brake fluid is hygroscopic, meaning it rapidly absorbs moisture from the air. The moisture causes the boiling temperature of the brake fluid to drop, which can lead to early brake fade and the possibility of accident or severe injury.

Change the brake fluid every two years and any time the fluid becomes contaminated, the fluid level is below the minimum, or if the type and brand of the fluid in the reservoir **①** are unknown.



1. Position the QUADRICYCLE on a level surface.
2. View the brake fluid level at the reservoir in the driver's side wheel well. The level should be between the upper (MAX) and lower (MIN) level lines.
3. If the fluid level is lower than the upper level line, open the hood and add brake fluid to the upper (MAX) line.
4. Apply the brake forcefully for a few seconds and check for fluid leakage around the fittings.

MAINTENANCE


BRAKE INSPECTION

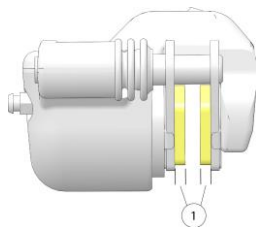
WARNING

Do not apply WD-40® or any petroleum product to brake discs. These types of products are flammable and may also reduce the friction between the brake pad and caliper.

WARNING

Brake components get hot with prolonged use and can cause burns. Wear protective gloves when inspecting the brakes.

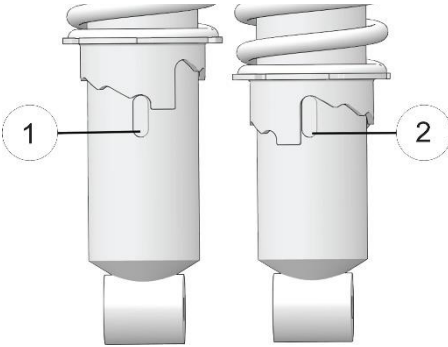
1. Check the brake system for fluid leaks.
2. Check the brake pedal for excessive travel or a spongy feel.
3. Check the friction pads for wear, damage and looseness.
4. Check brake discs for signs of cracks, excessive corrosion, warping or other damage. Clean any grease using an approved brake cleaner or alcohol.
5. Inspect the brake disc spline and pad wear surface for excessive wear. Change pads when worn to 0.762 mm .



SPRING ADJUSTMENT

Adjust the front and rear shock absorber springs by rotating the adjustment cam either clockwise or counter-clockwise to increase or decrease spring tension.

- ① Stiffest adjustment setting
- ② Softest adjustment setting



Always heed the following rules if you make adjustments to this suspension.

- Always return the suspension to the lowest (softest) setting after the load is removed from the QUADRICYCLE. The increased suspension height will negatively impact QUADRICYCLE stability when operating without a load.
- Always apply the same adjustment setting to both sides of the QUADRICYCLE.

STEERING WHEEL INSPECTION

Check the steering wheel for specified free play and smooth operation at the intervals outlined in the Periodic Maintenance Chart.

1. Position the QUADRICYCLE on level ground.
2. Lightly turn the steering wheel left and right.
3. There should be 20-25 mm of free play.
4. If there is excessive free play or strange noises, or the steering feels rough or “catchy,” have the steering system inspected by an authorized dealer.

MAINTENANCE

TIRES

WARNING

Operating your vehicle with worn tires will increase the possibility of skidding, loss of control and an accident, which could result in serious injury or death. Always replace tires when the tread depth measures 5 mm or less. Improper tire inflation or the use of non-standard size or type of tires may adversely affect vehicle handling, which could result in vehicle damage or personal injury. Always maintain proper tire pressure. Always use EGIMOTORS approved size and type of tires for this vehicle when replacing tires.

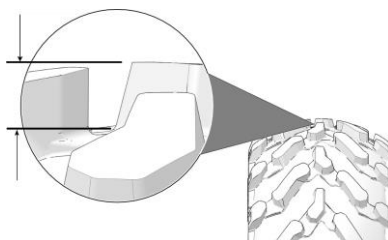
TIRE CONDITION

WARNING

Tires age, even if they have not been used or have only been used occasionally. Cracking of the tread and sidewall rubber, sometimes accompanied by carcass deformation, is evidence of aging. Old and aged tires must be checked by a tire specialist to ascertain their suitability for further use.

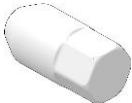

TIRE TREAD DEPTH

Always replace tires when tread depth is worn to 5 mm or less.



AXLE AND WHEEL NUT TORQUE SPECIFICATIONS

Inspect the following items occasionally for tightness, and if they've been loosened for maintenance service. Do not lubricate the stud or the lug nut.

Lug Nut (Aluminum Wheels) 	Front and Rear	120 Nm
Lug Nut (Steel Wheels) 	Front and Rear	49 Nm
Hub Retaining Nut	Front	122 Nm
	Rear	150 Nm

WHEEL REMOVAL

1. Position the QUADRICYCLE on a level surface.
2. Place the transmission in PARK. Stop the engine.
3. Loosen the wheel nuts slightly.
4. Elevate the side of the QUADRICYCLE by placing a suitable stand under the frame.
5. Remove the wheel nuts. Remove the wheel.

WHEEL INSTALLATION

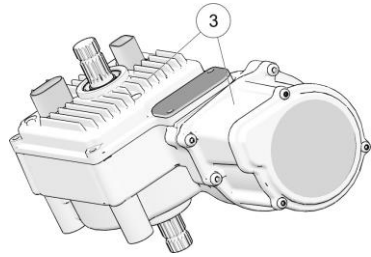
 **WARNING**

Improperly installed wheels can adversely affect tire wear and vehicle handling, which can result in serious injury or death. Always ensure that all nuts are torqued to specification. Do not service axle nuts that have a cotter pin installed. Your dealer can assist.

1. Place the transmission in PARK.
2. Place the wheel on the hub with the valve stem toward the outside and rotation arrows on the tire pointing toward forward rotation.
3. Attach the wheel nuts and finger-tighten.
4. Carefully lower the QUADRICYCLE to the ground.
5. Torque the wheel nuts to specification.

POWER STEERING UNIT (IF EQUIPPED)

If your model is equipped with power steering, frequently clean the areas around and on the power steering unit to allow proper cooling. Clean these areas ③ thoroughly.

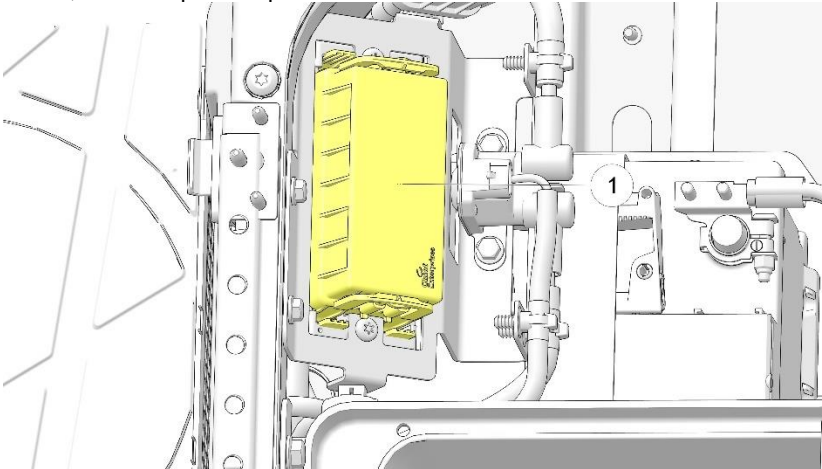


FUSES

If the engine stops or will not start, or if you experience other electrical failures, a fuse may need replacement. Locate and correct any short circuits that may have caused the blown fuse, then replace the fuse. Raise the driver's seat and remove the access panel ① to access the fuse center. Spare fuses can be found in the tool kit.

QUADRICYCLES equipped with a bumper-mounted light bar have a dedicated fuse block under the hood.

If you suspect that a fuse or relay may not be working properly, please see your dealer, or other qualified person.



MAINTENANCE

FUSE SIZE	FEATURE SUPPORTED
15A	Headlight
10A	Tractor
10A	Chassis 2
10A	Trailer
10A	Flasher
10A	Terminal Block
5A	Instrument Accy
15A	Chassis
7.5A	Instrument Unswitched
15A	Amp
10A	EFI
5A	Light Control
30A	EPS
20A	Accy
10A	Fuel
10A	Charge
20A	Fan CB (Nordic Pro Models Only)
7.5A	Control Fuse (Nordic Pro Models Only)
20A	Blower (Nordic Pro Models Only)

LIGHTS

Poor lighting can result in reduced visibility when driving. Headlight and taillight lenses become dirty during normal operation. Clean lights frequently and replace burned out lamps promptly. Do not operate this QUADRICYCLE at night or in low light conditions until the headlight is replaced. Always make sure lights are adjusted properly for best visibility.

When servicing a halogen lamp, don't touch the lamp with bare fingers. Oil from your skin leaves a residue, causing a hot spot that will shorten the life of the lamp.

LED HEADLAMPS

If a headlight becomes damaged or inoperable, the entire headlight assembly must be replaced.

TIP

If an LED headlamp has moisture or fogging inside, disconnect the wiring harness from the headlamp(s) for a few days to allow the moisture to clear out. Do not operate the vehicle at night or in low light conditions without properly working headlights.

MAINTENANCE

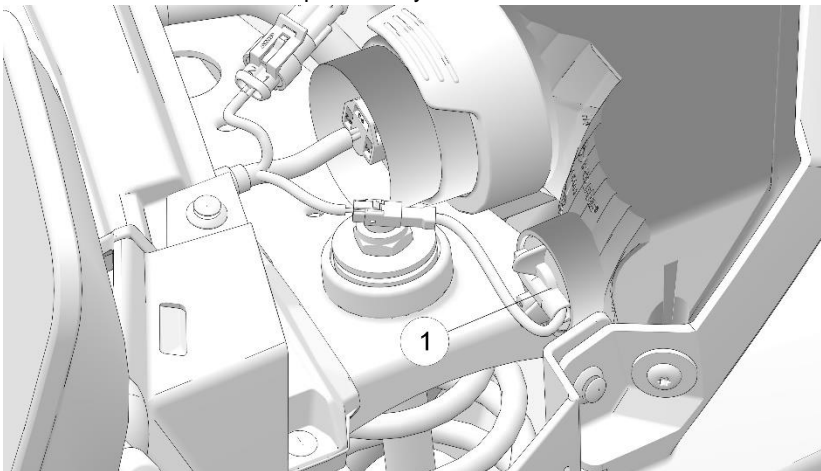
FRONT TURN SIGNAL LAMP REPLACEMENT



Hot components can cause burns to skin. Allow lamps to cool before servicing.

To replace the front turn signal lamp, do the following:

1. Access the turn signal wiring harness through the front hood.
2. Unplug the turn signal harness connector from the main harness connector.
3. Turn the turn signal lamp socket (1) counter clockwise. Remove the turn signal socket from the headlamp assembly.



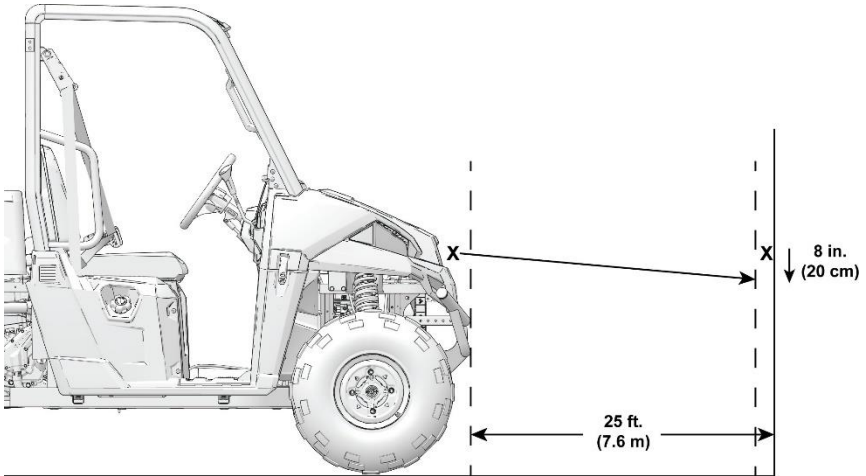
4. Remove the turn signal bulb from the turn signal bulb socket and install a new lamp.
5. Reinstall the turn signal socket into the headlamp assembly.

TIP

Make sure the tabs on turn signal socket locate properly into the headlamp housing.

6. Reconnect the turn signal harness connector to the main harness connector.

HEADLIGHT BEAM ADJUSTMENT

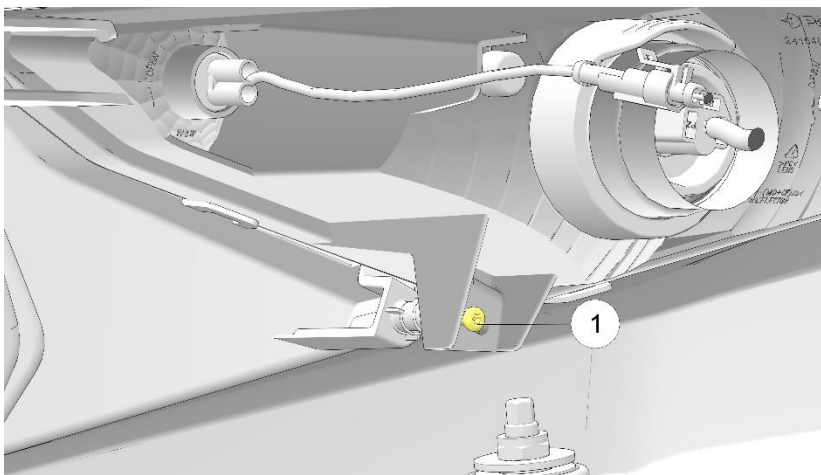


To adjust the headlight beam, do the following:

1. Ensure the tire pressure of all tires is at recommended levels.
2. Place the QUADRICYCLE on a level surface with the headlight approximately 7.6 m from a wall.
3. Measure the distance from the floor to the center of the headlight and make a mark on the wall at the same height.
4. Apply the brakes. Start the engine. Turn on the headlights.
5. Observe the headlight aim. The most intense part of the headlight beam should be aimed 20 cm below the mark placed on the wall. Include the weight of a rider on the seat while performing this step.

MAINTENANCE

6. If a headlight needs adjustment, locate the adjustment screw ① at the rear of the headlight.



7. Tighten the screw to adjust the lamp up. Loosen the screw to adjust the lamp down.
8. Repeat steps 4-6 until the lamp is properly adjusted.

BATTERY

 **WARNING**

Battery electrolyte is poisonous. It contains sulfuric acid. Serious burns can result from contact with skin, eyes or clothing.

Antidote:

External: Flush with water.

Internal: Drink large quantities of water or milk. Follow with milk of magnesia, beaten egg, or vegetable oil. Call physician immediately.

Eyes: Flush with water for 15 minutes and get prompt medical attention.

Batteries produce explosive gases. Keep sparks, flame, cigarettes, etc. away. Ventilate when charging or using in an enclosed space. Always shield eyes when working near batteries. **KEEP OUT OF REACH OF CHILDREN.**

Your QUADRICYCLE may have either a sealed battery, which requires little maintenance, or a conventional battery. A sealed battery can be identified by its flat covers on the top of the battery. A conventional battery has six filler caps on the top of the battery.

Always keep battery terminals and connections free of corrosion. If cleaning is necessary, remove the corrosion with a stiff wire brush. Wash with a solution of one tablespoon baking soda and one cup water. Rinse well with tap water and dry off with clean shop towels. Coat the terminals with dielectric grease or petroleum jelly. Be careful not to allow cleaning solution or tap water into a conventional battery.

 **WARNING**

Improperly connecting or disconnecting battery cables can result in an explosion and cause serious injury or death. When removing the battery, always disconnect the negative (black) cable first. When reinstalling the battery, always connect the negative (black) cable last.

MAINTENANCE

BATTERY REMOVAL

1. Remove the seat to access the battery compartment.
2. On conventional batteries, remove the battery vent tube.
3. Disconnect the black (-) battery cable first. Disconnect the red (+) battery cable last.
4. Remove the battery hold-down strap.
5. Lift the battery out of the QUADRICYCLE. Be careful not to tip a conventional battery sideways, which could spill electrolyte.

NOTICE

If electrolyte spills, immediately wash it off with a solution of one tablespoon baking soda and one cup water to prevent damage to the vehicle.

BATTERY INSTALLATION

Using a new battery that has not been fully charged can damage the battery and result in a shorter life. It can also hinder QUADRICYCLE performance.

If your factory-installed 14 AH battery cannot maintain a charge because of operation in extreme cold or with multiple electrical accessories, please see your EGIMOTORS dealer to purchase a 30 AH battery. Before installing the 30 AH battery, remove the plastic spacer at the bottom of the battery compartment. Save the spacer for future use.

1. Ensure that the battery is fully charged.
2. Place the fully charged battery in the battery holder.
3. With conventional batteries, install the battery vent tube (sealed batteries do not have a vent tube). The vent tube must be free of obstructions and securely installed. Route the tube away from the frame and QUADRICYCLE body to prevent contact with electrolyte.

WARNING

Battery gases could accumulate in an improperly installed vent tube and cause an explosion, resulting in serious injury or death. Always ensure that the vent tube is free of obstructions and is securely installed as recommended.

4. Coat the terminals with dielectric grease or petroleum jelly.
5. Connect and tighten the red (+) cable first. Connect and tighten the black (-) cable last.

6. Verify that cables are properly routed. Cables should be safely tucked away at the front and rear of the battery.
7. Install the battery hold-down strap.

BATTERY STORAGE

Whenever the QUADRICYCLE is not used for a period of three months or more, remove the battery from the QUADRICYCLE, ensure that it's fully charged, and store it out of the sun in a cool, dry place. Check battery voltage each month during storage and recharge as needed to maintain a full charge.

NOTICE

Battery charge can be maintained by using a Polaris battery trickle charger or by charging about once a month to make up for normal self-discharge. The battery trickle charger can be left connected during the storage period, and will automatically charge the battery if the voltage drops below a predetermined point. See chapter with EGIMOTORS products for the part numbers

BATTERY CHARGING

The following battery charging instructions apply only to the installation of a sealed battery. Read all instructions before proceeding with the installation of this battery.

The sealed battery is already filled with electrolyte and has been sealed and *fully charged* at the factory. *Never* pry the sealing strip off or add any other fluid to this battery.

The single most important thing about maintaining a sealed battery is to keep it fully charged. Since the battery is sealed and the sealing strip cannot be removed, you must use a voltmeter or multimeter to measure DC voltage.

WARNING

An overheated battery may explode, causing severe injury or death. Always watch charging times carefully. Stop charging if the battery becomes very warm to the touch. Allow it to cool before resuming charging.

For a refresh charge, follow all instructions carefully.

MAINTENANCE

1. Check the battery voltage with a voltmeter or multimeter. A fully charged battery will register 12.8 V or higher.
2. If the voltage is less than 12.8 volts, recharge the battery at 1.2 amps or less until battery voltage is 12.8 or greater.
3. When using an automatic charger, refer to the charger manufacturer's instructions for recharging. When using a constant current charger, use the guidelines below for recharging.

Always verify battery condition before and 1-2 hours after the end of charging.

STATE OF CHARGE	VOLTAGE	ACTION	CHARGE TIME*
100%	12.8-13.0 volts	None, check at 3 mos. from date of manufacture	None required
75%-100%	12.5-12.8 volts	May need slight charge, if no charge given, check in 3 months	3-6 hours
50%-75%	12.0-12.5 volts	Needs charge	5-11 hours
25%-50%	11.5-12.0 volts	Needs charge	At least 13 hours, verify state of charge
0%-25%	11.5 volts or less	Needs charge with desulfating charger	At least 20 hours

*(Using constant current charger @ standard amps specified on top of battery)

CLEANING AND STORAGE

WASHING THE QUADRICYCLE

Keeping your EGIMOTORS QUADRICYCLE clean will not only improve its appearance but it can also extend the life of various components.

NOTICE

High water pressure may damage components. EGIMOTORS Recommends washing the vehicle by hand or with a garden hose, using mild soap.

NOTICE

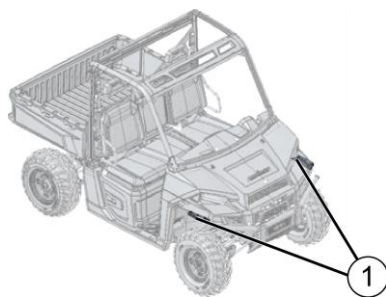
Certain products, including insect repellents and chemicals, will damage plastic surfaces. Do not allow these types of products to contact the vehicle.

The best and safest way to clean your EGIMOTORS QUADRICYCLE is with a garden hose and a pail of mild soap and water.

1. Use a professional-type washing cloth, cleaning the upper body first and the lower parts last.
2. Rinse with clean water frequently.
3. Dry surfaces with a chamois to prevent water spots.

WASHING TIPS

- Avoid the use of harsh cleaners, which can scratch the finish.
- Do not use a power washer to clean the QUADRICYCLE.
- Do not use medium to heavy duty compounds on the finish.
- Always use clean cloths and pads for cleaning and polishing. Old or reused cloths and pads may contain dirt particles that will scratch the finish.
- Grease all zerk fittings immediately after washing. Allow the engine to run for a while to evaporate any water that may have entered the engine or exhaust system.
- Be sure to clean the QUADRICYCLE's *spray suppression valances* ①.



MAINTENANCE

If a high pressure water system is used for cleaning (not recommended), exercise extreme caution. The water may damage components and could remove paint and labels. Avoid directing the water stream at the following items:

- Wheel bearings
- Radiator
- Transmission seals
- Brakes
- Cab and body panels
- Labels and decals
- Electrical components and wiring
- Air intake components

If an informational or graphic label becomes illegible or comes off, contact your EGIMOTORS dealer to purchase a replacement. Replacement safety labels are provided by EGIMOTORS at no charge.

POLISHING THE QUADRICYCLE

EGIMOTORS recommends the use of common household aerosol furniture polish for polishing the finish on your EGIMOTORS QUADRICYCLE. Follow the instructions on the container.

POLISHING TIPS

- Avoid the use of automotive products, some of which can scratch the finish of your QUADRICYCLE.
- Always use clean cloths and pads for cleaning and polishing. Old or reused cloths and pads may contain dirt particles that will scratch the finish.

CHROME WHEEL CARE (IF EQUIPPED)

Proper maintenance will protect chrome wheels from corrosion, preserve wheel life and ensure a “like new” appearance for many years. Chrome wheels exposed to road salt (or salt in the air in coastal areas) are more susceptible to corrosion if not properly cleaned. Clean chrome wheels more often if they're exposed to salt or other corrosive elements.

1. Wash chrome wheels frequently. Use a mild detergent. Never use abrasive cleaners on plated or painted surfaces.
2. Rinse well with clear water. Soap, detergents, salt, dirt, mud and other elements can cause corrosion.

3. Polish the clean chrome wheels periodically. Use an automotive grade chrome polish.
4. Routinely and liberally apply a weather resistant wax to each polished chrome wheel. Choose a product suitable for chrome finishes. Read and follow the product labels and instructions.

REMOVING CORROSION

If light rust is found on the chrome finish, use steel wool (#0000-OTT grade) to remove it. Gently rub the affected areas with the steel wool until the corrosion has been removed. Clean and polish the wheel as outlined above.

STORAGE TIPS

NOTICE

Starting the engine during the storage period will disturb the protective film created by fogging and damage could occur. Never start the engine during the storage period.

CLEAN THE EXTERIOR

Make any necessary repairs and clean the QUADRICYCLE as recommended.

STABILIZE THE FUEL

1. Fill the fuel tank.
2. Add EGIMOTORS Carbon Clean Fuel Treatment or EGIMOTORS Fuel Stabilizer or equivalent fuel treatments or stabilizers. Follow the instructions on the container for the recommended amount. Carbon Clean removes water from fuel systems, stabilizes fuel and removes carbon deposits from pistons, rings, valves and exhaust systems.
3. Allow the engine to run for 15-20 minutes to allow the stabilizer to disperse through the entire fuel delivery system.

OIL AND FILTER

Change the oil and filter. See the Engine Oil section.

AIR FILTER / AIR BOX

Replace the air filter. See Maintenance Chapter. Clean the air box.

MAINTENANCE

FLUID LEVELS

Inspect the fluid levels. Add or change fluids as recommended in the Periodic Maintenance Chart.

- Demand drive fluid (front gearcase)
- Rear gearcase fluid (if equipped)
- Transmission fluid
- Brake fluid (change every two years and any time the fluid looks dark or contaminated)
- Coolant (test strength/fill)

INSPECT AND LUBRICATE

Inspect all cables and lubricate all areas of the QUADRICYCLE as recommended in the Periodic Maintenance Chart.

FOG THE ENGINE

1. Treat the fuel system with EGIMOTORS Carbon Clean or other equivalent fuel treatment. Follow the instructions on the container. Start the engine. Allow it to idle for several minutes so the Carbon Clean reaches the injectors. Stop the engine.
2. Remove the spark plugs and add 29.5–44 cc of engine oil. To access the plug holes, use a section of clear 6 mm hose and a small plastic squeeze bottle filled with the pre-measured amount of oil. *Do this carefully! If you miss the plug holes, oil will drain from the spark plug cavities into the hole at the front of the cylinder head, and appear to be an oil leak.*
3. Reinstall the spark plugs. Torque to specification.
4. Apply dielectric grease to the inside of each spark plug cap. *Do not reinstall the cap onto the plug at this step.*
5. Turn the engine over several times. Oil will be forced in and around the piston rings and ring lands, coating the cylinder with a protective film of fresh oil.
6. Reinstall the spark plug caps.
7. If EGIMOTORS fuel system additive is not used, fuel tank, fuel lines, and injectors should be completely drained of gasoline.

BATTERY MAINTENANCE

See the Battery Storage section for storage procedures.

STORAGE AREA / COVERS

Be sure the storage area is well ventilated. Cover the QUADRICYCLE with a genuine EGIMOTORS cover. Do not use plastic or coated materials. They do not allow enough ventilation to prevent condensation, and may promote corrosion and oxidation.

REMOVAL FROM STORAGE

WARNING

Engine exhaust contains poisonous carbon monoxide and can cause loss of consciousness or death. Never run an engine in an enclosed area.

1. Check the battery electrolyte level and charge the battery if necessary. Install it in the QUADRICYCLE. Make sure the battery vent hose is routed properly and that it's not pinched or restricted in any way.
2. Make sure spark plugs are tight.
3. Fill the fuel tank with fuel.
4. Check all the points listed in the Daily Pre-Ride Inspection. *Tightness of the bolts, nuts and other fasteners should be checked by an authorized dealer or other qualified service facility.*
5. Lubricate at the intervals outlined in the Periodic Maintenance Chart.

LOADING AND UNLOADING

The weight distribution of the cargo loaded onto the trailer is important and will have an impact on how the QUADRICYCLE handles on the road. Ensure the weight of the cargo is distributed properly and the trailer is not rear, front, or side heavy.

Always use a spotter if you are uncomfortable loading the QUADRICYCLE on your own. A wheel chock or marker can also be used as an indication of how close you will park the QUADRICYCLE from the front of the trailer.

WARNING

When loading or unloading a vehicle onto a trailer, always wear the appropriate safety gear, including an approved helmet.

MAINTENANCE

MINIMUM WORKING LOAD LIMIT

 **WARNING**

Always secure cargo properly. Improperly securing a load can result in severe injury or death.

Securing devices, such as tie-down straps, are manufactured to support a load that can be applied during normal service. This is known as the Working Load Limit (WLL).

QUADRICYCLE TYPE	TIE-DOWN MINIMUM WLL
All QUADRICYCLEs	1497 kg

TRANSPORTING THE QUADRICYCLE

Follow these procedures when transporting the QUADRICYCLE.

NOTICE

Do not tow your vehicle behind a car or other vehicle except on a trailer.

1. Properly load the QUADRICYCLE onto the trailer or towing QUADRICYCLE.
2. Apply the brakes.
3. Place the transmission in PARK. Stop the engine.
4. Slowly release the brake pedal and make sure the transmission is in PARK before exiting the QUADRICYCLE.
5. Remove the key to prevent loss during transporting.
6. Ensure that all seats are attached correctly and are not loose.

7. Secure the fuel cap, and doors (if equipped).

 **WARNING**

Cargo and other loose vehicle parts may fall off while transporting the vehicle. Secure or remove all cargo, and inspect the unit for loose parts prior to transport.

 **WARNING**

Do not exceed the towing vehicle's or trailer's towing capacity when transporting. Refer to the towing vehicle and trailer's specifications.

 **WARNING**

If transporting the vehicle in a non-enclosed trailer, the vehicle must **FACE FORWARD**, or the roof must be removed. Failure to comply may allow airflow, vibration, or other factors to separate the roof from the vehicle and cause an accident, resulting in serious personal injury or death.

8. Using tie-down straps of suitable Working Load Limit (WLL), secure the QUADRICYCLE to the trailer at the designated tie-down points (front and rear). The straps must be secured in a manner that provides support in both vertical and lateral directions. Ensure that they are set with enough tension as to compress the suspension and prevent QUADRICYCLE movement during transport. Do not allow the secured straps to make contact with any other part of the trailer or cargo.

 **CAUTION**

Always use the provided tie-down points. Not using the provided vehicle tie-down points could lead to premature component failure and/or excess wear on the tie-down straps.

 **WARNING**

Always secure the vehicle with at least four straps when trailering. Use two straps in the front, and two in the rear.

 **WARNING**

Never use chains to tie down the vehicle.

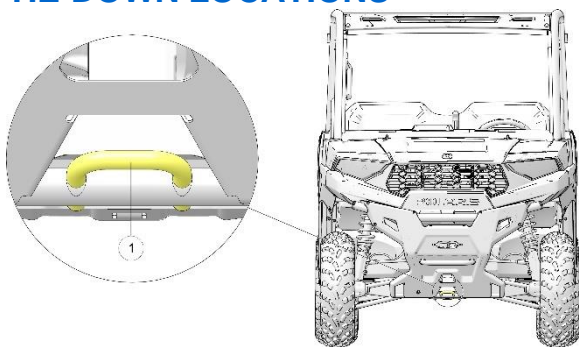
 **WARNING**

Do not lay straps over any sharp edges. Sharp edges may damage straps during transportation.

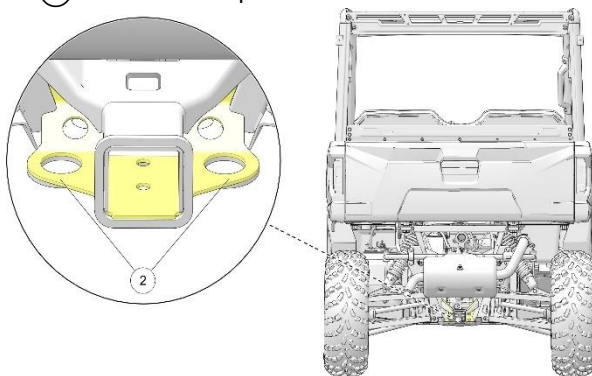
MAINTENANCE

9. Periodically inspect the QUADRICYCLE and trailer during transit. Adjust cargo and straps as needed to ensure that the cargo cannot shift, or fall from the trailer or towing QUADRICYCLE.

TIE-DOWN LOCATIONS



① Front tie-down point



② Rear tie-down points

NOTICE

Trailer wiring harness (if applicable) bracket has been removed for clarity.

SPECIFICATIONS

RANGER 570 QUADRICYCLE

RANGER 570 QUADRICYCLE	
Gross Vehicle Weight Capacity (includes weight of operator, passenger, cargo, accessories)	855 kg
Unladen mass in running order	500 kg
QUADRICYCLE Seating Capacity	2
Fuel Capacity	34,1 l
Engine Oil Capacity	1.9 l
Coolant Capacity	4.75 l
Overall Length	279 cm
Overall Width	147 cm
Overall Height	185,4 cm
Wheelbase	185,4 cm
Cargo Box Dimensions (Inside)	82x117x31.2 cm
Ground Clearance	27,5 cm
Min. Turning Radius	386.7 cm
Towing Capacity	250 kg
Hitch Tongue Capacity	80 kg
Max. Cargo Box Load	200 kg

SPECIFICATIONS

RANGER 570 QUADRICYCLE	
Engine	Dual overhead cam, 4 valve 4 stroke single cylinder
Displacement	567 cc
Bore x Stroke (mm)	99mm x 73.6mm
Alternator Output	660W @ 3000 RPM
Compression Ratio	10:1
Starting System	Electric
Fuel System	Electronic Fuel Injection
Ignition Timing	ECU Controlled 32° +/- 2° @ 5000 RPM
Spark Plug	NGK® MR7F / 0.7-0.8 mm
Lubrication System	Wet Sump
Cooling	Liquid
Front Suspension	MacPherson Ride™ Strut w/23 cm of travel
Rear Suspension	Independent, 26.8 cm of travel
Throttle Body Size	42 mm
Ignition System	Digital CDI
Driving System Type	PVT
Shift Type	Single Lever (console)
Gear Reduction - Low	28.84:1
Gear Reduction - Reverse	25.82:1
Gear Reduction - High	13.57:1
Drive Ratio - Front	3.818:1
Tire Size - Front	25 x 8 - 12
Tire Size - Rear	25 x 11 - 12

SPECIFICATIONS

RANGER 570 QUADRICYCLE	
Tire Pressure - Front	0,6 bar
Tire Pressure - Rear	0,6 bar
Brakes, Front/Rear	Foot Activated, 4 wheel hydraulic disc
Hood Headlights	BULB-H4,12V 55/60W
Taillights	10 L.E.D. (.28W)
Brake Light	10 L.E.D. (3.1W)
Indicator Light	BULB PY21W 21.0 W

CLUTCHING CHART

CLUTCH SETTINGS				
ALTITUDE meters	DRIVE CLUTCH		DRIVEN CLUTCH	
	Shift Weight	Clutch Spring	Clutch Spring	Helix
0-1800	1327263 (41-77)	7043789	7045854	1336970
1800-3700	1327265 (41-68)	7043789	7045854	1336970

EGIMOTORS PRODUCTS

PRODUCT INFORMATION

PART NUMBER	DESCRIPTION
Engine Lubricant	
2870791	Fogging Oil (355 ml Aerosol)
2876244	PS-4 Full Synthetic 5W-50 4-Cycle Oil (.95 l)
2876245	PS-4 Full Synthetic 5W-50 4-Cycle Oil (3.8 l)
2878920	PS-4 Extreme Duty Synthetic 10W-50 4-Cycle Oil (.95 l)
2878919	PS-4 Extreme Duty Synthetic 10W-50 4-Cycle Oil (3.8 l)
Gearcase / Transmission Lubricants	
2878068	AGL Full Synthetic Gearcase Lubricant & Transmission Fluid (.95 l)
2878069	AGL Full Synthetic Gearcase Lubricant & Transmission Fluid (3.8 l)
2877922	Demand Drive Fluid (.95 l.)
2877923	Demand Drive Fluid (3.8 l)
2870465	Pump for Gallon (3.8 l) Jug
Coolant	
2880514	Antifreeze 50/50 Premix (.95 l)
2880513	Antifreeze 50/50 Premix (3.8 l)
Grease / Specialized Lubricants	
2871312	Grease Gun Kit, All Season Grease
2871322	All Season Grease (89 ml cartridge)
2871423	All Season Grease (414 ml cartridge)
2876160	ATV Angle Drive Fluid (.95 l)
2872276	ATV Angle Drive Fluid (9.5 l)
2871460	Premium Starter Grease
2871515	U-Joint Grease (89 ml cartridge)
2871551	U-Joint Grease (414 ml cartridge)
2871329	Dielectric Grease (Nyogel®)
Additives / Miscellaneous	
2871326	Carbon Clean

PART NUMBER	DESCRIPTION
2870652	Fuel Stabilizer
2872189	DOT 4 Brake Fluid
2871956	Loctite® 565 Thread Sealant
2830438	BatteryMINDer® 2012 AGM - 2 AMP Charger
5253552	EGIMOTORSBattery Strap Bracket for 45 AH Battery
4015591	EGIMOTORS30 AH Battery
2521372	EGIMOTORSAir Filter

TROUBLESHOOTING

DRIVE BELT WEAR/BURN

POSSIBLE CAUSE	SOLUTION
Driving onto a pickup or tall trailer in high range	Use low gear during loading.
Starting out going up a steep incline	Use low gear.
Driving at low RPM or ground speed 5–11 km/h	Drive at a higher speed or use low gear more frequently.
Insufficient warm-up at low ambient temperatures	Warm the engine at least 5 minutes. With the transmission in neutral, advance the throttle to about 1/8 throttle in short bursts, 5 to 7 times. The belt will become more flexible and prevent belt burning.
Slow/easy clutch engagement	Use the throttle quickly and effectively.
Towing/pushing at low RPM/low ground speed	Use low gear only.
Utility use/plowing	Use low gear only.
Stuck in mud or snow	Shift the transmission to low gear and carefully use fast, aggressive throttle application to engage clutch. WARNING: Excessive throttle may cause loss of control and QUADRICYCLE rollover.
Climbing over large objects from a stopped position	Shift the transmission to low gear and carefully use fast, brief, aggressive throttle application to engage clutch. WARNING: Excessive throttle may cause loss of control and QUADRICYCLE rollover.
Belt slippage from water or snow ingestion into the PVT system	Dry out the PVT (see the PVT System Drying section for details). Prevent water from entering the PVT intake duct. See Intake Pre-Filters for more information. Inspect clutch seals for damage if repeated leaking occurs.
Clutch malfunction	Your dealer can assist.
Poor engine performance	Check for fouled plug or foreign material in gas tank or fuel lines. Your EGMOTORS dealer can assist.
Slippage from failure to warm up belt	Always warm up the belt by operating below 48 km/h for 1.6 km. Warm up for 8 km or more when temperature is below freezing.
Wrong or missing belt	Install the recommended belt.
Improper break-in	Always break in a new belt and/or clutch.

ENGINE DOESN'T TURN OVER

POSSIBLE CAUSE	SOLUTION
Low battery voltage	Recharge the battery.
Loose battery connections	Check all connections and tighten.
Loose solenoid connections	Check all connections and tighten.
Loose electronic control box connections	Inspect, clean, reinstall connectors.

ENGINE TURNS OVER, FAILS TO START

POSSIBLE CAUSE	SOLUTION
Out of fuel	Refuel
Water is present in fuel	Drain the fuel system and refuel
Old or non-recommended fuel	Replace with fresh recommended fuel
Fouled or defective spark plug	Inspect plug and replace if necessary
No spark to spark plug	Inspect plug and replace if necessary
Water or fuel in crankcase	See your EGIMOTORS dealer or other qualified person
Low battery voltage	Recharge the battery to 12.8 VDC
Mechanical failure	See your EGIMOTORS dealer or other qualified person

ENGINE BACKFIRES

POSSIBLE CAUSE	SOLUTION
Weak spark from spark plug	Inspect, clean and/or replace spark plug
Incorrect spark plug gap or heat range	Set gap to specs or replace plug
Old or non-recommended fuel	Replace with fresh recommended fuel
Incorrectly installed spark plug wires	Your authorized dealer can assist
Mechanical failure	Your authorized dealer can assist
Loose ignition connections	Check all connections and tighten
Water present in fuel	Replace with fresh recommended fuel

ENGINE PINGS OR KNOCKS

POSSIBLE CAUSE	SOLUTION
Poor quality or low octane fuel	Replace with recommended fuel
Incorrect spark plug gap or heat range	Set gap to specs or replace plug

ENGINE RUNS IRREGULARLY, STALLS OR MISFIRES

POSSIBLE CAUSE	SOLUTION
Fouled or defective spark plug	Inspect, clean and/or replace spark plug
Worn or defective spark plug wires	Your dealer can assist
Incorrect spark plug gap or heat range	Set gap to specs or replace plug
Loose ignition connections	Check all connections and tighten
Water present in fuel	Replace with new fuel
Low battery voltage	Recharge battery to 12.8 VDC
Incorrect fuel	Replace with recommended fuel
Clogged air filter	Inspect and clean or replace
Clogged intake screen	Inspect and clean (with soapy water) or replace
Throttle release switch malfunction	Your dealer can assist
Other mechanical failure	Your dealer can assist

ENGINE STOPS OR LOSES POWER

POSSIBLE CAUSE	SOLUTION
Out of fuel	Refuel
Kinked or plugged fuel vent line	Inspect and replace
Water is present in fuel	Replace with new fuel
Fouled or defective spark plug	Inspect, clean and/or replace spark plug
Worn or defective spark plug wires	Your authorized dealer can assist
Incorrect spark plug gap or heat range	Set gap to specs or replace plug
Loose ignition connections	Check all connections and tighten
Low battery voltage	Recharge the battery
Incorrect fuel	Replace with fresh recommended fuel
Clogged air filter	Inspect and clean or replace
Clogged intake pre-filter	Inspect and clean (with soapy water) or replace
Other mechanical failure	Your authorized dealer can assist
Overheated engine	Clean radiator screen and core, clean engine exterior, and check coolant level. Your dealer can assist.

ENGINE RUNNING TOO LEAN

POSSIBLE CAUSE	SOLUTION
Low or contaminated fuel	Add or change fuel, clean the fuel system
Low octane fuel	Replace with recommended fuel
Clogged fuel filter	See your EGIMOTORS dealer

ENGINE RUNNING TOO RICH

POSSIBLE CAUSE	SOLUTION
Fuel octane too high	Replace with lower octane fuel

WARRANTY

WARRANTY

LIMITED WARRANTY

EGIMOTORS gives a TWO-YEAR LIMITED WARRANTY on all components of your Quadricycle against defects in material or workmanship.

This warranty covers parts and labor charges for repair or replacement of defective parts and begins on the date of purchase by the original retail purchaser. This warranty is transferable to another owner during the warranty period through a EGIMOTORS dealer, but any such transfer will not extend the original term of the warranty. The duration of this warranty may vary by international region based upon local laws and regulations.

REGISTRATION

At the time of sale, the Warranty Registration Form must be completed by your dealer and submitted to EGIMOTORS within ten days of purchase. Upon receipt of this registration, EGIMOTORS will record the registration for warranty. No verification of registration will be sent to the purchaser as the copy of the Warranty Registration Form will be your proof of warranty coverage. If you have not signed the original registration and received the customer copy, please contact your dealer immediately. **NO WARRANTY COVERAGE WILL BE ALLOWED UNLESS YOUR VEHICLE IS REGISTERED WITH EGIMOTORS.** Initial dealer preparation and set-up of your vehicle is very important in ensuring trouble-free operation. Purchasing a machine in the crate or without proper dealer set-up will void your warranty coverage.

WARRANTY COVERAGE AND EXCLUSIONS

LIMITATIONS OF WARRANTIES AND REMEDIES

This EGIMOTORS limited warranty excludes any failures that are not caused by a defect in material or workmanship. THIS WARRANTY DOES NOT COVER CLAIMS OF DEFECTIVE DESIGN. This warranty also does not cover acts of God, accidental damage, normal wear and tear, abuse or improper handling. This warranty also does not cover any vehicle, component, or part that has been altered structurally, modified, neglected, improperly maintained or used for racing, competition or purposes other than for which it was designed.

This warranty excludes damages or failures resulting from improper lubrication; improper engine timing; improper fuel; surface imperfections caused by external stress, heat, cold or contamination; operator error or abuse; improper component alignment, tension, adjustment or altitude compensation; snow, water, dirt or other foreign substance ingestion/contamination; improper maintenance; modified components; use of aftermarket or unapproved components, accessories, or attachments; use of unapproved software or calibration; unauthorized repairs; or repairs made after the warranty period expires or by an unauthorized repair center.

This warranty excludes damages or failures caused by abuse, accident, fire, or any other cause other than a defect in materials or workmanship and provides no coverage for consumable components, general wear items, or any parts exposed to friction surfaces, stresses, environmental conditions and/or contamination for which they were not designed or not intended, including but not limited to the following items:

- Wheels and tires
- Suspension components
- Brake components
- Seat components
- Clutches and components
- Steering components
- Batteries
- Light bulbs/Sealed beam lamps
- Filters
- Lubricants
- Bushings
- Finished and unfinished surfaces
- Carburetor/Throttle body components
- Engine components
- Drive belts
- Hydraulic components and fluids
- Circuit breakers/Fuses
- Electronic components
- Spark plugs
- Sealants
- Coolants
- Bearings

WARRANTY

LUBRICANTS AND FLUIDS

1. Mixing oil brands or using non-recommended oil may cause engine damage. We recommend the use of EGIMOTORS engine oil.
2. Damage or failure resulting from the use of non-recommended lubricants or fluids is not covered by this warranty.

This warranty provides no coverage for personal loss or expense, including mileage, transportation costs, hotels, meals, shipping or handling fees, product pick-up or delivery, replacement rentals, loss of product use, loss of profits, or loss of vacation or personal time.

THE EXCLUSIVE REMEDY FOR BREACH OF THIS WARRANTY SHALL BE, AT EGIMOTORS' OPTION, REPAIR OR REPLACEMENT OF ANY DEFECTIVE MATERIALS, COMPONENTS, OR PRODUCTS. THE REMEDIES SET FORTH IN THIS WARRANTY ARE THE ONLY REMEDIES AVAILABLE TO ANY PERSON FOR BREACH OF THIS WARRANTY. EGIMOTORS SHALL HAVE NO LIABILITY TO ANY PERSON FOR INCIDENTAL, CONSEQUENTIAL OR SPECIAL DAMAGES OF ANY DESCRIPTION, WHETHER ARISING OUT OF EXPRESS OR IMPLIED WARRANTY OR ANY OTHER CONTRACT, NEGLIGENCE, OR OTHER TORT OR OTHERWISE. THIS EXCLUSION OF CONSEQUENTIAL, INCIDENTAL, AND SPECIAL DAMAGES IS INDEPENDENT FROM AND SHALL SURVIVE ANY FINDING THAT THE EXCLUSIVE REMEDY FAILED OF ITS ESSENTIAL PURPOSE.

THE IMPLIED WARRANTY OF FITNESS FOR A PARTICULAR PURPOSE IS EXCLUDED FROM THIS LIMITED WARRANTY. ALL OTHER IMPLIED WARRANTIES (INCLUDING BUT NOT LIMITED TO THE IMPLIED WARRANTY OF MERCHANTABILITY) ARE LIMITED IN DURATION TO THE ABOVE ONE YEAR WARRANTY PERIOD. EGIMOTORS DISCLAIMS ALL EXPRESS WARRANTIES NOT STATED IN THIS WARRANTY.

HOW TO OBTAIN WARRANTY SERVICE

If your vehicle requires warranty service, you must take it to a EGIMOTORS Servicing Dealer. When requesting warranty service you must present your copy of the Warranty Registration Form to the dealer. (THE COST OF TRANSPORTATION TO AND FROM THE DEALER IS YOUR RESPONSIBILITY.) EGIMOTORS suggests that you use your original selling dealer; however, you may use any EGIMOTORS Servicing Dealer to perform warranty service.

IN THE COUNTRY WHERE YOUR PRODUCT WAS PURCHASED:

Warranty or Service Bulletin repairs must be done by an authorized EGIMOTORS dealer, or other qualified person. If you move or are traveling within the country where your product was purchased, Warranty and Service Bulletin repairs may be requested from any authorized EGIMOTORS dealer, or other qualified person, that sells the same line as your product.

OUTSIDE THE COUNTRY WHERE YOUR PRODUCT WAS PURCHASED:

If you are traveling temporarily outside the country where your product was purchased, you should take your product to an authorized EGIMOTORS dealer, or other qualified person. You must show the dealer photo identification from the country of the selling dealer's authorized location as proof of residence. Upon residence verification, the servicing dealer will be authorized to perform the warranty repair.

IF YOU MOVE:

If you move to another country, be sure to contact EGIMOTORS Customer Assistance and the customs department of the destination country before you move. Product importation rules vary considerably from country to country. You may be required to present documentation of your move to EGIMOTORS in order to continue your warranty coverage. You may also be required to obtain documentation from EGIMOTORS in order to register your product in your new country. You should warranty register your product at a local EGIMOTORS dealer in your new country immediately after you move to continue your warranty coverage and to ensure that you receive information and notices regarding your product.

IF YOU PURCHASE FROM A PRIVATE PARTY:

If you purchase a EGIMOTORS product from a private party, to be kept and used outside of the country in which the product was originally purchased, all warranty coverage will be denied. You must nonetheless register your product under your name and address with a local EGIMOTORS dealer in your country to ensure that you receive safety information and notices regarding your product.

EXPORTED PRODUCTS

EXCEPT WHERE SPECIFICALLY REQUIRED BY LAW, THERE IS NO WARRANTY OR SERVICE BULLETIN COVERAGE ON THIS PRODUCT IF IT IS SOLD OUTSIDE THE COUNTRY OF THE SELLING DEALER'S AUTHORIZED LOCATION. This policy does not apply to products that have received authorization for export from EGIMOTORS. Dealers may not give authorization for export. You should consult an authorized dealer to determine this product's warranty or service coverage if you have any questions. This policy does not apply to products registered to government officials or military personnel on assignment outside the country of the selling dealer's authorized location. This policy does not apply to Safety Bulletins.

NOTICE

If your product is registered outside of the country where it was purchased and you have not followed the procedure set above, your product will no longer be eligible for warranty or service bulletin coverage of any kind, other than safety bulletins. Products registered to government officials or military personnel on assignment outside of the country where the product was purchased will continue to be covered by the Limited Warranty.

Please work with your dealer to resolve any warranty issues. Dealership contacts can be found via this website, if needed:

www.egimotors.it

Should your dealer require any additional assistance, they will contact the appropriate person at EGIMOTORS.

This warranty gives you specific legal rights, and you may also have other rights which vary from state to state or in different countries. If any of the above terms are void because of federal, state, local law, all other warranty terms will remain in effect.

For questions reach EGIMOTORS on www.egimotors.it

For more information
visit www.Egimotors.it

Egimotors
Via Filippo da Desio 49/51
20832 Desio (MB) ITALY
info@polarisitalia.com